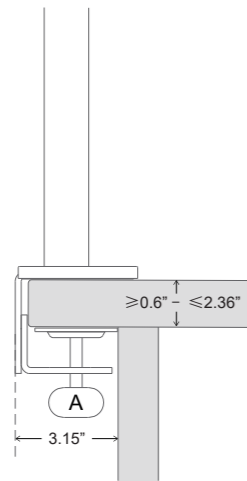


STEP1. ATTACH MOUNT TO WORK SURFACE

INSTALL ON OPEN EDGE OF WORK SURFACE:

Slide the Base Stem against work surface edge and fully tighten clamp Screw(A).

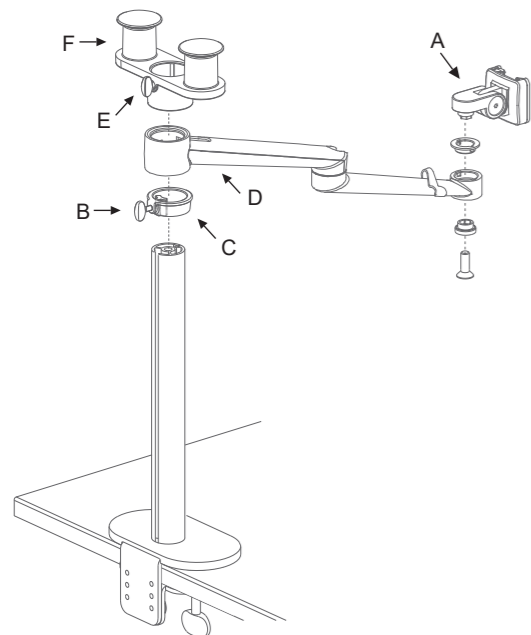


STEP2. ATTACH ARM TO THE POST

a. Disassemble the screw from the adaptor (A), then insert the adaptor (A) into top of the forearm (Note: assemble the shims between the adaptor and top of the forearm as picture), tighten the screw of bottom.

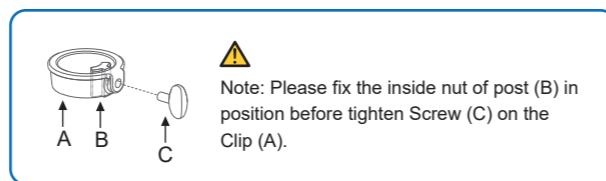
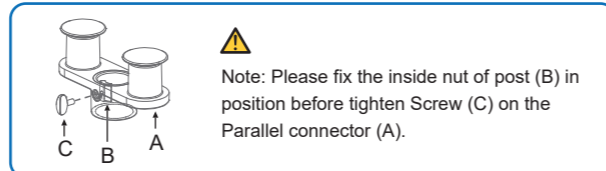
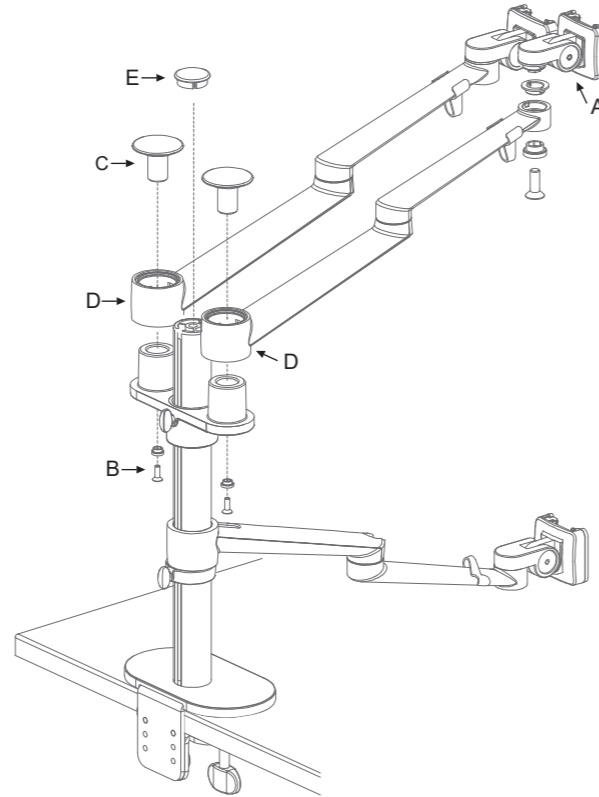
b. Fix the Clip (C) to the desired position, tighten the screw (B), then insert arm (D) into the post.

c. Wear the parallel connector (F) into the post, tighten the screw (E).



d. Cap the adaptor (A) into top of the forearm (Note: cover the black shim firstly as picture), tighten the screw of bottom.

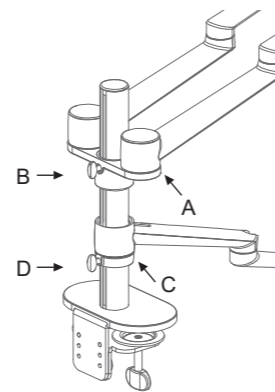
e. Loose the screw (B), remove the caps of parallel connector (C), insert two arms (D) into the post, tighten the screw and cover the caps, cover the cap (E).



f. Height Adjustment

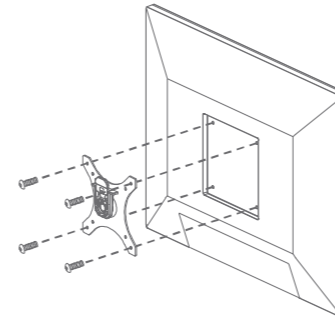
The Parallel connector (A) could be adjusted on your desired position by loosening the screw (B), fix it.

The Clip (C) could be adjusted on your desired position by loosening the screw (D), fix it.



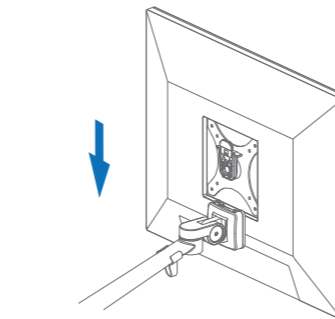
STEP3. ATTACH MONITOR/LAPTOP PLATE TO ARM

INSTALLING MONITOR

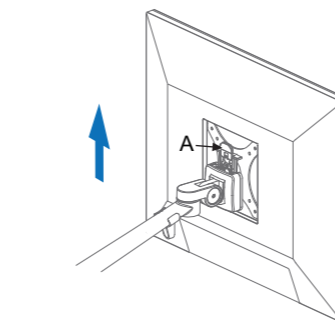


1 As the picture shows, install VESA mount on monitor. Be careful to leave the slide clip upwards.

VESA standard:
75*75mm ; 100*100mm

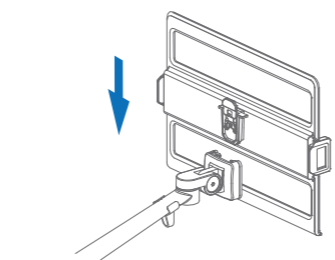


2 Insert the VESA connector into the groove, when heard a click sound means done.



Note: If you want to remove the device, please press shrapnel (A) to remove the device Up to extract.

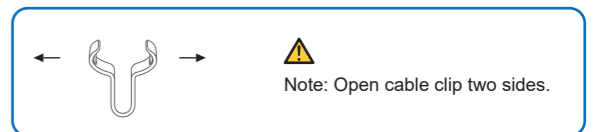
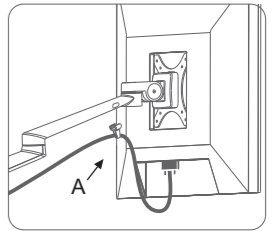
INSTALLING LAPTOP PLATE



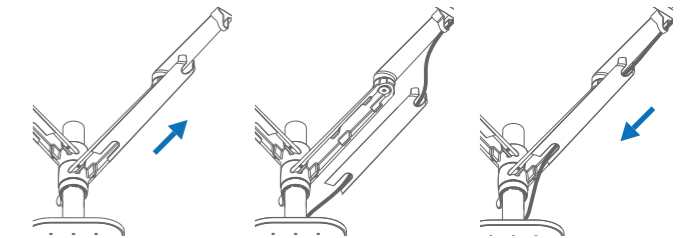
Insert the Laptop Plate into the groove, when heard a click sound means done.

STEP4. CABLE MANAGEMENT

1 Remove cable clip (A) from the arm, thread cables, install cable clip on the arm again.



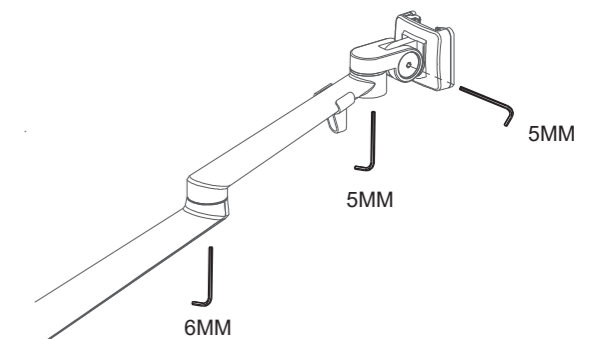
2 Slide the plastic cover on the rear arm upwards until it disengages. Put cables onto the plastic cover inside. Slide the cover downwards until it click into place.



ARM ADJUSTMENTS

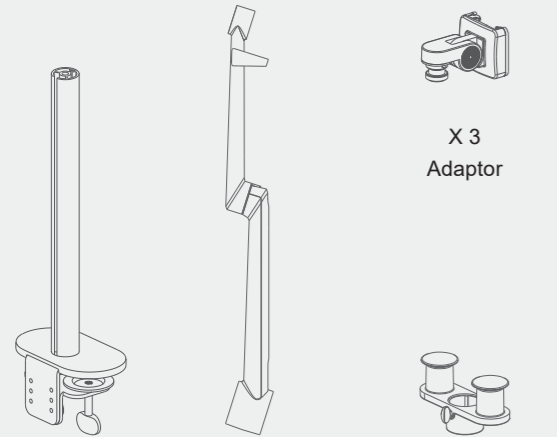
TENSION ADJUSTMENT

If you feel the pitching angle too tight or too loose when adjusting the mount, please adjust the Screw.

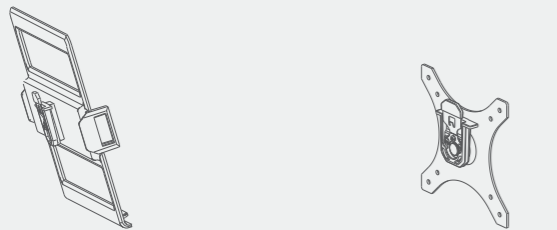


INSTALLATION HARDWARE

WARNING



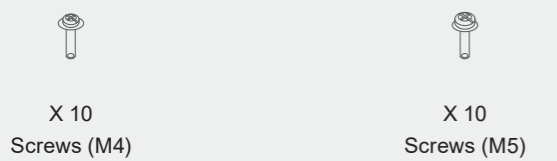
X 1 Base Stem
X 3 Arm
X 1 Parallel Connector



X 1 Laptop Plate
X 2 VESA Connector



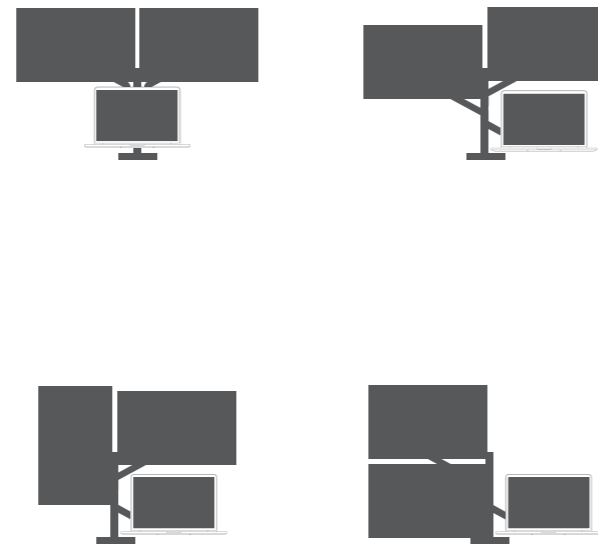
X 1 Post Cap
X 3 Clip
4 / 5 / 6mm Hex Wrench



X 10 Screws (M4)
X 10 Screws (M5)

- * Make sure to read the manual before installation and fully understand how to install, if you have any questions, please visit our website or contact the relevant after-service.
- * Kindly please make sure the desktop could bear the weight of mount and monitor before installation.
- * Please use the supporting tools when installing, It is better for installation by 2 people. Please be careful.
- * This product contains small parts, keep these away from children.

More application:



WARRANTY SERVICE

Never worried when you choose viozon products We offer the best after-sale service to our customer, it only takes few minutes.

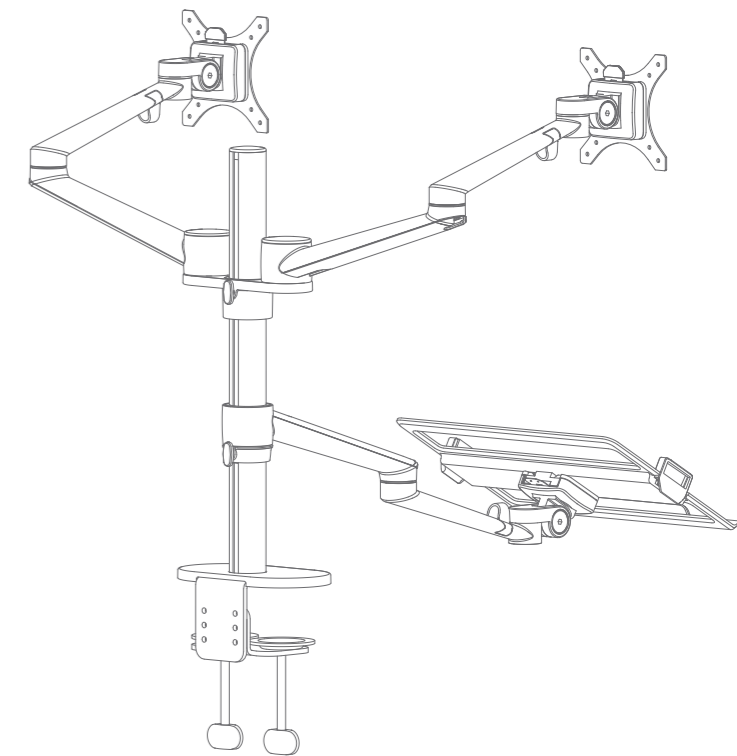
Just send you name and order number to



US: service@vio-zon.com
EU: support@vio-zon.com

And then you will get a complete service like The installation guide, Technical support, New product iteration, buy New similar products in advance , promotions, and warranty service from Viozon.

viozon®



FEEDBACK

Share it?
Let us know with a customer review.

Viozon is focus on high-standard product, we believe Customer drive our product upgrades. And write a review that sharing your experience will help other customers , and this will give us great encouragement and confidence.

And if you have any questions, please feel free to contact us without hesitate.

FOR HELP PLEASE CONTACT US:



Facebook: Viozon



US: service@vio-zon.com
EU: support@vio-zon.com



www.vio-zon.com

OL-10T Installation Instructions



Scan QR code below for more products from viozon