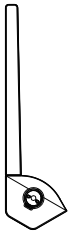


## INSTALLATION HARDWARE



X 1  
Base Stem



X 1  
Base Legs



X 1  
Arm



X 1  
Pole

### Additional Parts Box



X 2  
Screws(M6\*10)



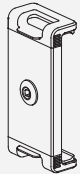
X 1  
Screws(M5\*16)



X 1  
Screws (M10)



X 1  
Post Cap



X 1  
Holder



X 1  
Connector



6mm 5mm 4mm  
Hex Wrench



This product contains small parts, keep these away from children.

## WARRANTY SERVICE

Never worried when you choose viozon products We offer the best after-sale service to our customer, it only takes few minutes.

Just send you name and order number to



US: [service@vio-zon.com](mailto:service@vio-zon.com)

EU: [support@vio-zon.com](mailto:support@vio-zon.com)

And then you will get a complete service like The installation guide, Technical support, New product iteration, buy New similar products in advance , promotions, and warranty service from Viozon.

## FEEDBACK

Share it?  
Let us know with a customer review.

Viozon is focus on high-standard product, we believe Customer drive our product upgrades. And write a review that sharing your experience will help other customers , and this will give us great encouragement and confidence.

And if you have any questions, please feel free to contact us without hesitate.

FOR HELP PLEASE CONTACT US:



Facebook: Viozon



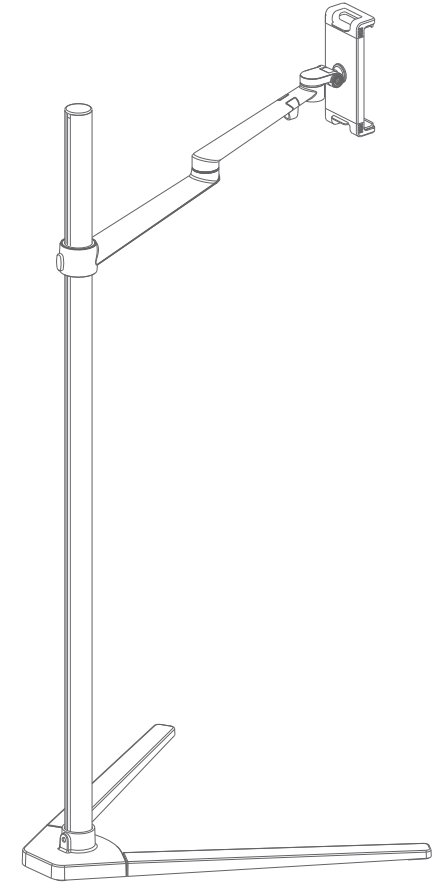
US: [service@vio-zon.com](mailto:service@vio-zon.com)

EU: [support@vio-zon.com](mailto:support@vio-zon.com)



[www.vio-zon.com](http://www.vio-zon.com)

viozon®



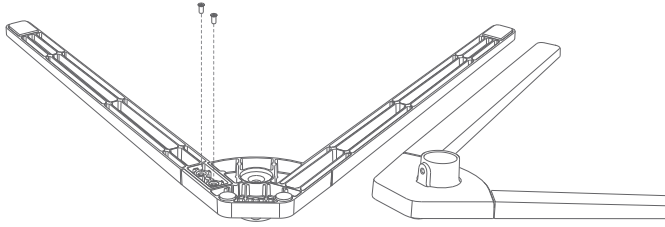
## UP-6A User Manual




Scan QR code below for more products from viozon

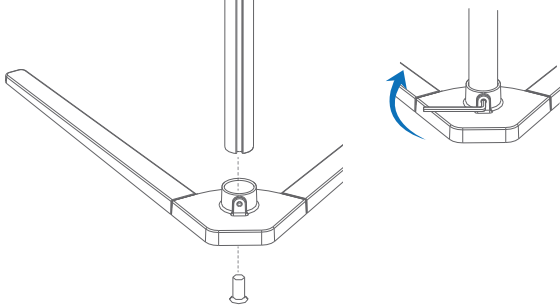
## STEP1. INSTALL STAND BASE / POLE

Using screw M6\*10 to fix the base legs to the base stem.



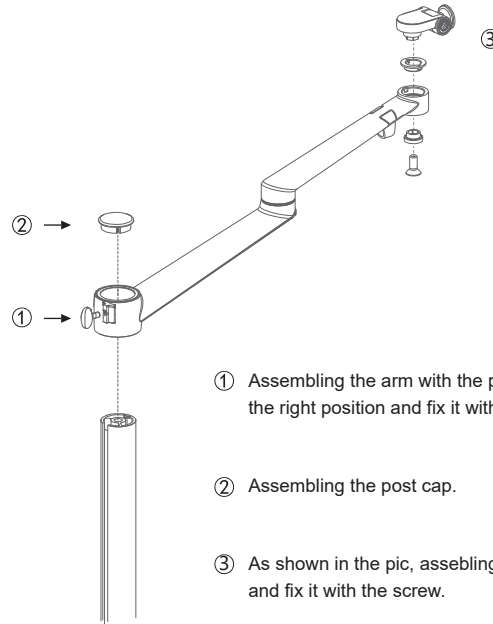
 As shown, the pole with groove should face out.

Using Hex Wrench 4mm fully tighten the screw to make sure the pole doesn't wobble.



Using screw M10 to fix the pole to the base stem.

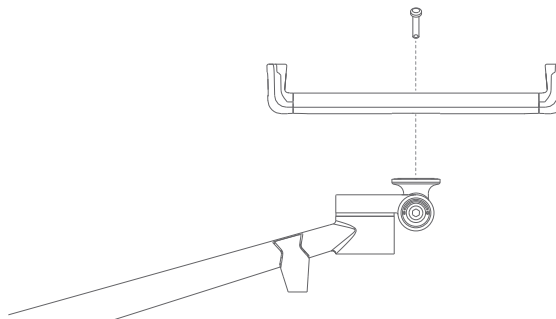
## STEP2. ATTACH PHONE / TABLET HOLDER



① Assembling the arm with the pole, adjust to the right position and fix it with the screw.

② Assembling the post cap.

③ As shown in the pic, assembling the connector and fix it with the screw.



Using M5\*16 screw to fix the connector with the back hole of holder.

## PRODUCT FUNCTION

- ① Pulling the holder to grip your advice.
- ② If you feel the pitching angle too tight or too loose when adjusting the mount, please adjust the Screw.
- ③ Open cable clip two sides.

