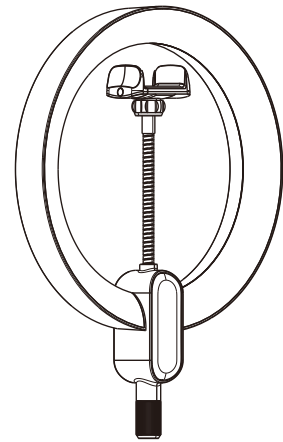
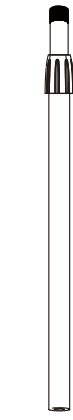


ACCESSORY LIST

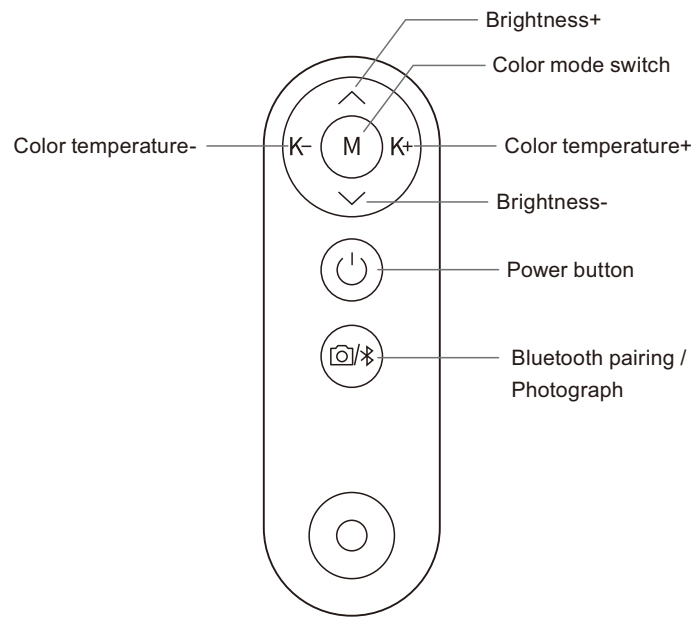
REMOTE DESCRIPTION



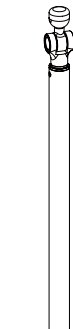
X 1
12" Ring Light



X 1
Main Pole



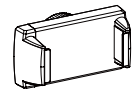
X 1
Base



X 1
Arm



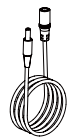
X 1
Adapter



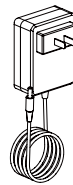
X 1
Cellphone Holder



X 1
Remote Control



X 1
Power Extension Wire



X 1
Power Plug Wire



X 1
Cable Management Ouch

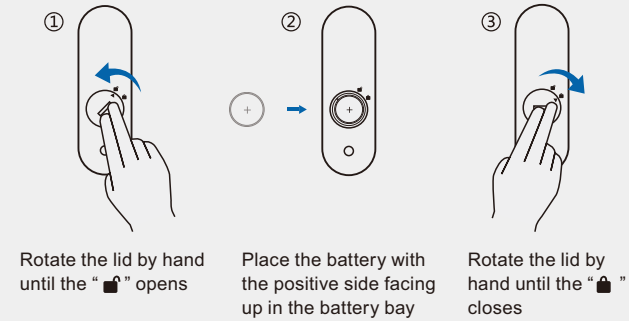


X 1
Hex Wrench (4/5mm)



X 1
Screw (M8*20mm)

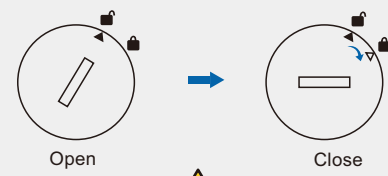
BATTERY INSTALLATION



Rotate the lid by hand until the "+" opens

Place the battery with the positive side facing up in the battery bay

Rotate the lid by hand until the "+" closes



Caution: Installing cover incorrectly may render the remote control unusable

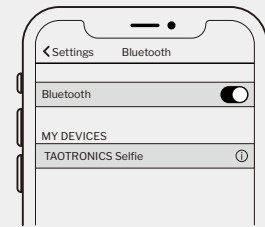
BLUETOOTH PAIRING

1. Start pairing

Press and hold camera/Bluetooth button, product goes into the pairing status.

2. Turn on Bluetooth

Turn on Bluetooth on cellphone, find device "TAOTRONICS Selfie" and start pairing.



3. Take video/photo

Open camera on cellphone, press the camera/Bluetooth button on remote control.

WARRANTY SERVICE

Never worried when you choose viozon products
We offer the best after-sale service to our customer, it only takes a few minutes.

Just send your name and order number to



US service@vio-zon.com
EU support@vio-zon.com

And then you will get a complete service like The installation guide, Technical support, New product iteration, buy New similar products in advance , promotions, and warranty service from Viozon.

FEEDBACK

Share it?

Let us know with a customer review.

Viozon is focus on high-standard product, we believe Customer drive our product upgrades. And write a review that sharing your experience will help other customers , and this will give us great encouragement and confidence.

And if you have any questions, please feel free to contact us without hesitate.

FOR HELP PLEASE CONTACT US:



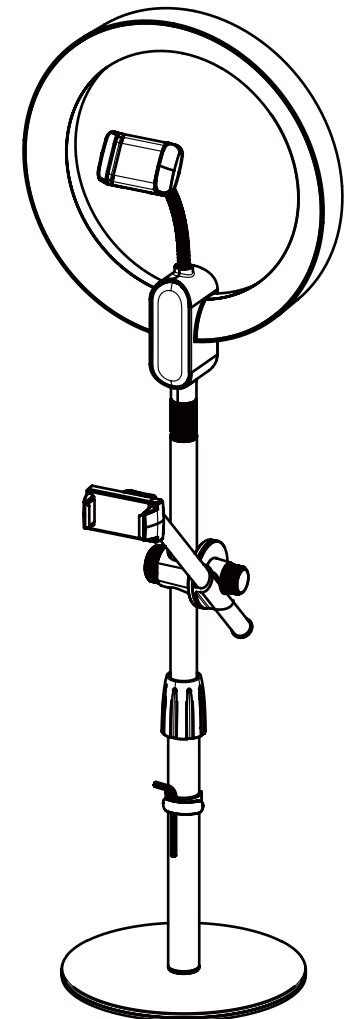
Facebook: Viozon



US service@vio-zon.com
EU support@vio-zon.com

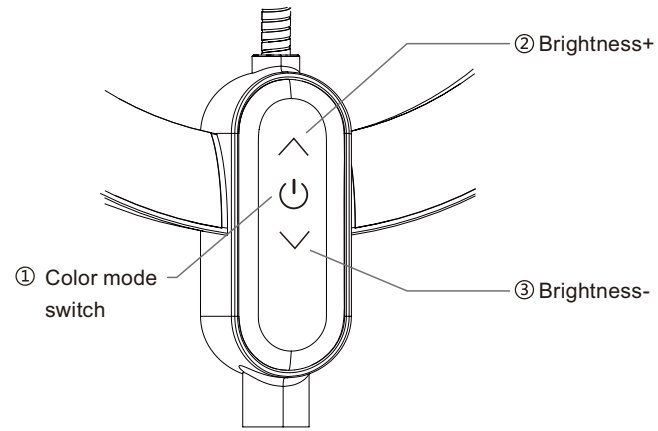


www.vio-zon.com



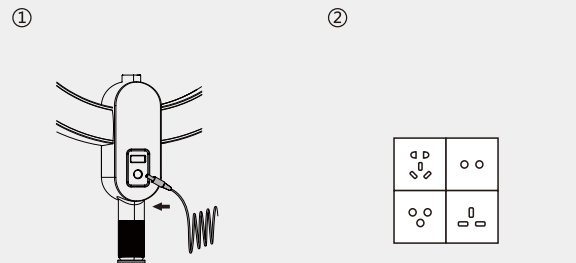
LT-2DP
Installation
Instructions

RING LIGHT CONTROL

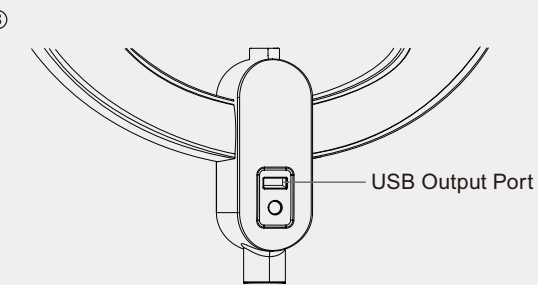


- ① Color mode switch: Press and hold to turn on the light. Press to switch from different color modes: cold, warm, natural. Again, press and hold to turn off the light.
- ② Increase brightness: Tap " ^ " to increase brightness, 10 levels adjustable.
- ③ Decrease brightness: Tap " v " to decrease brightness, 10 levels adjustable.

CABLE INTERFACE

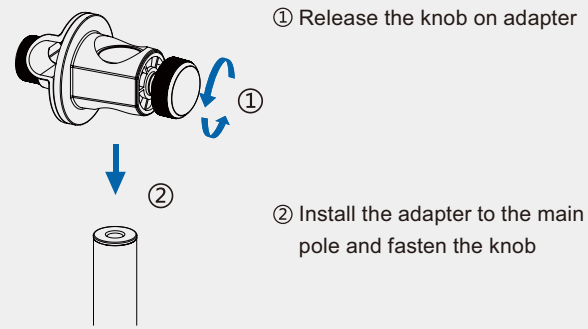


Connect to power connector Plug into an appropriate socket plug

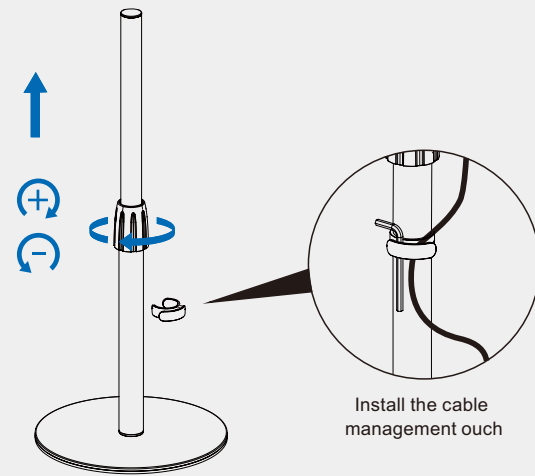


Connect USB output port to charge your device.

3. ADAPTER INSTALLATION

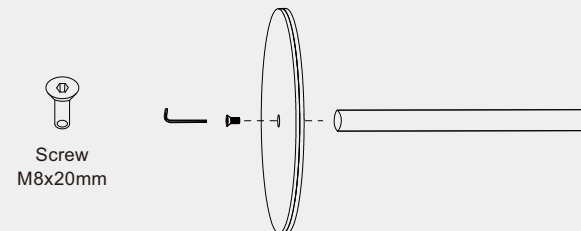


2. POLE EXTENSION



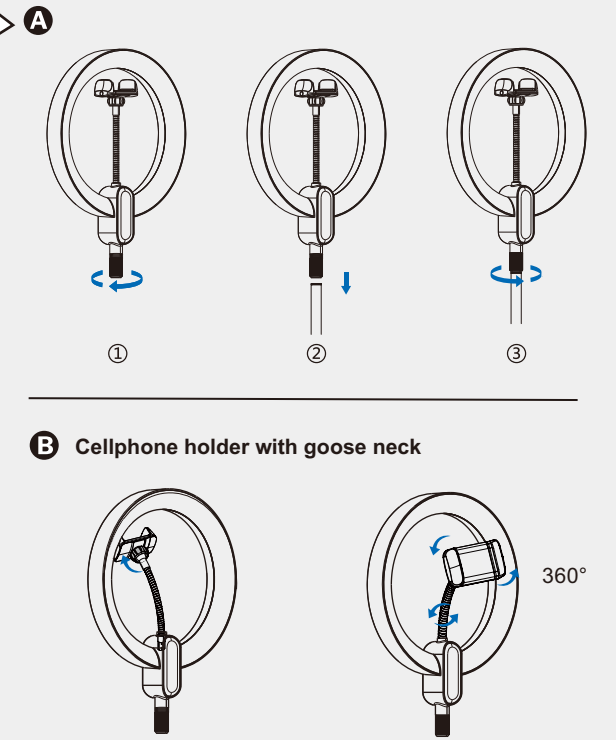
Release the fasten collar on the pole, pull out and extend the pole to proper length, and insure you have fastened the collar..

1. BASE INSTALLATION

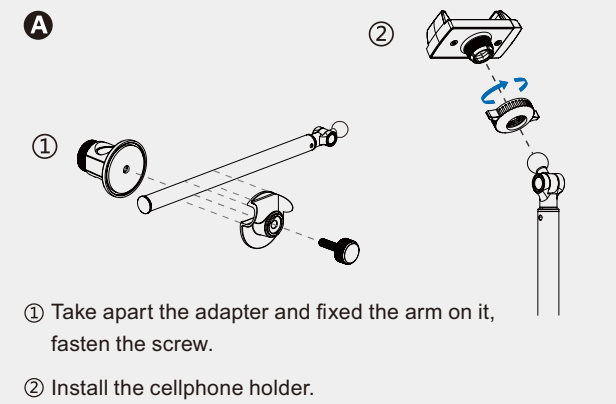


Connect the base and the main pole with screw, and then tighten the screw with the hex wrench.

4. RING LIGHT INSTALLATION



5. CELLPHONE HOLDER & ARM INSTALLATION



① Take apart the adapter and fixed the arm on it, fasten the screw.

② Install the cellphone holder.

B Arm Instruction

Arm can be extended to 16 inch.