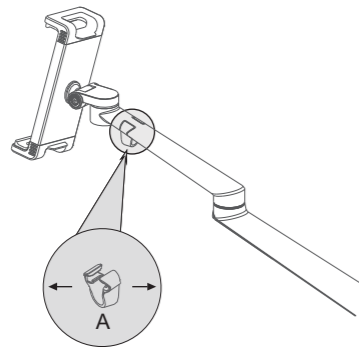


CABLE MANAGEMENT

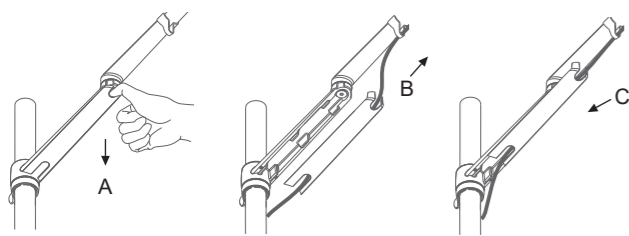


- 1 Remove cable clip (A) from the arm, thread cables, install cable clip on the arm again.



Note: Open cable clip two sides.

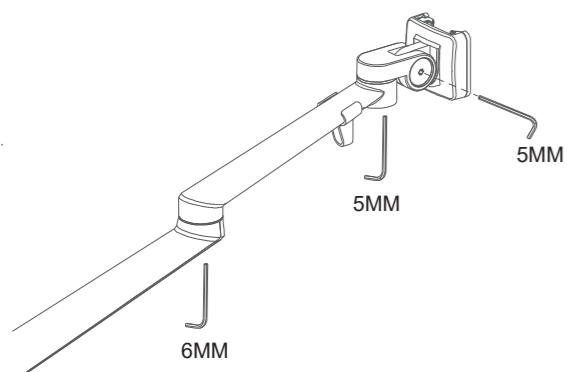
- 2 Slide the plastic cover on the lower link upwards until it disengages, then remove (A). Put power and monitor cables into the plastic cover (B). Then slide the cover downwards until it clicks into place (C).



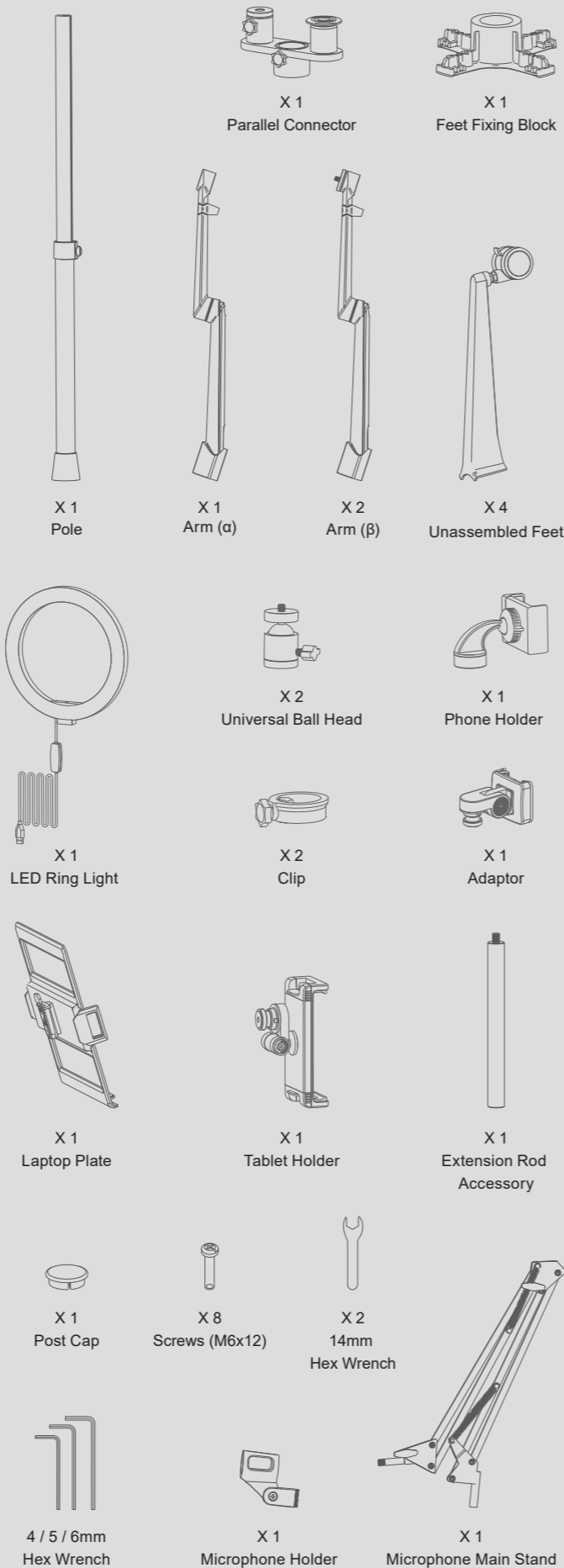
ARM ADJUSTMENTS

TENSION ADJUSTMENT

If you feel the pitching angle is too tight or too loose when adjusting the mount, please adjust the screws.



INSTALLATION ACCESSORIES



WARNING

- * Make sure to read the manual before installation and fully understand how to install, if you have any questions, please visit our website or contact the relevant after-service.
- * Please use the supporting tools when installing. It is better to be installed by two people. Please be careful.
- * This product contains small parts, keep these away from children.

WARRANTY SERVICE

Never worried when you choose viozon products. We offer the best after-sale service to our customer, it only takes a few minutes.

Just send your name and order number to



US: service@vio-zon.com
EU: support@vio-zon.com

And then you will get a complete service like the installation guide, Technical support, New product iteration, buy new similar products in advance, promotions, and warranty service from Viozon.

FEEDBACK

Share it?
Let us know with a customer review.

Viozon is focused on high-standard products, we believe customer drive our product upgrades. And write a review that sharing your experience will help other customers, and this will give us great encouragement and confidence.

And if you have any questions, please feel free to contact us without hesitation.

FOR HELP PLEASE CONTACT US:



Facebook: Viozon

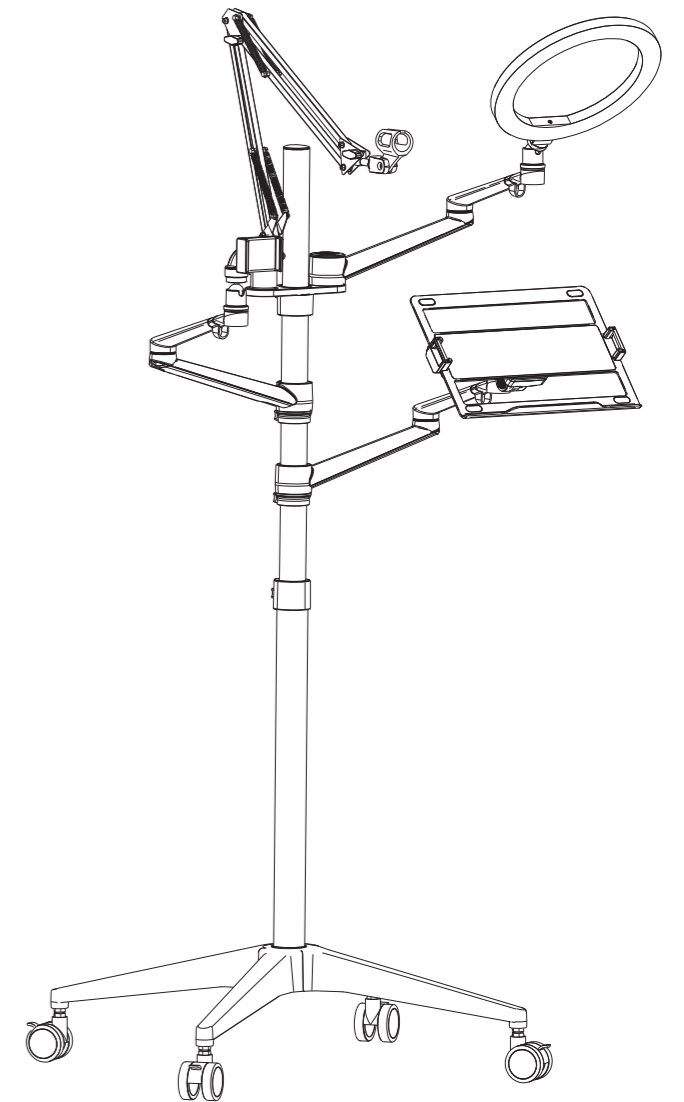


US: service@vio-zon.com
EU: support@vio-zon.com



www.vio-zon.com

viozon®



ZB-3 Installation Instructions



Scan QR code to get install video

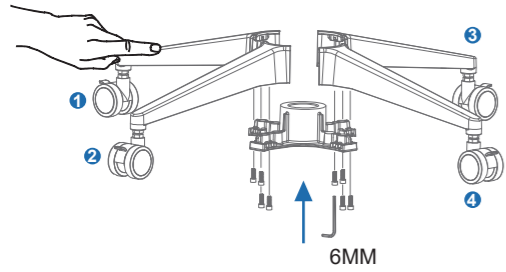


Scan QR code below for more products from Viozon

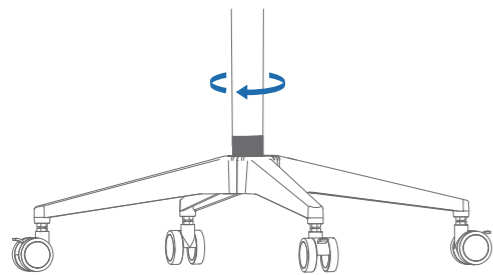
INSTALL STAND BASE & POLE



Use M6x12 screws connect feet fixing block and four feet.

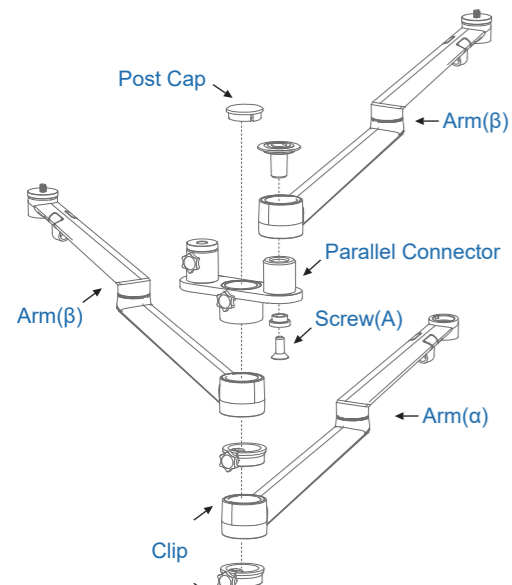


Screw the pole into the base.



INSTALL THE ACCESSORY TO THE MAIN POLE

Using the hex wrench remove the **Screw(A)** from the **Parallel Connector**, place the **Arm(β)** inside, then tighten the **Screw(A)**.

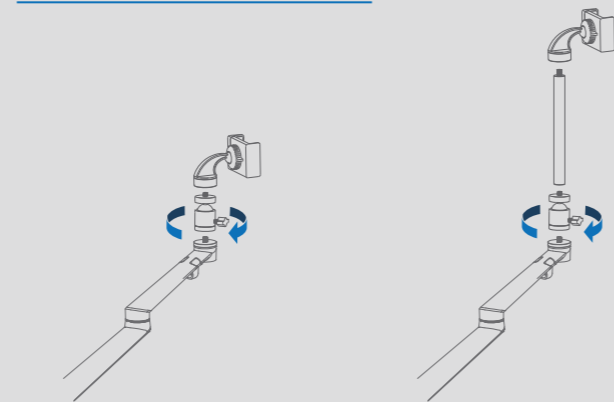


As the picture shows, put the **Clip** → **Arm(α)** → **Clip** → **Arm(β)** → **Parallel Connector** into the Pole cover the **Post Cap**, then, tighten the screw.

INSTALLING MICROPHONE HOLDER:

Place the microphone main stand at the inside hole of the parallel connector, tighten the screw which is at behind of the parallel connector. then put the microphone holder.

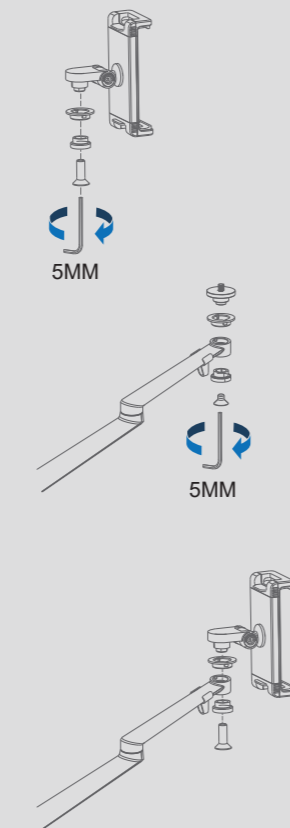
INSTALLING PHONE HOLDER:



a Install the universal ball head at the arm(β) at first, then install the phone holder.

b If you want to get taller height-using, you could install the extension rod between the universal ball head and the phone holder.

INSTALLING TABLET HOLDER:

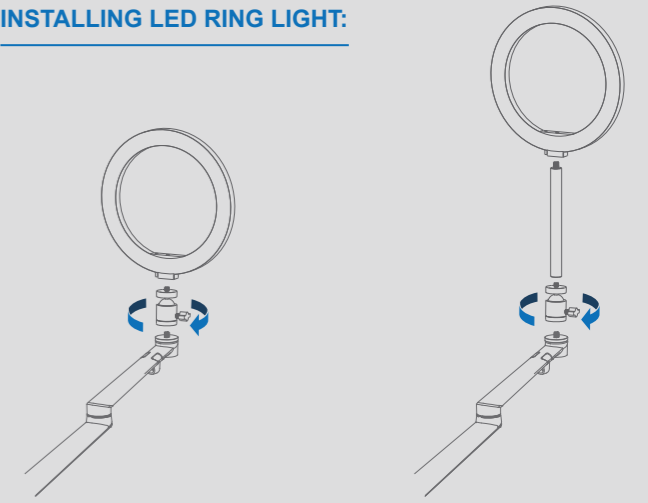


1 Remove the screws from the holder adapter by the hex wrench.

2 As the picture shows, use the hex wrench to remove screws on arm(β)

3 As the picture shows, put the accessories at the aperted arm, put the screw back then tighten it.

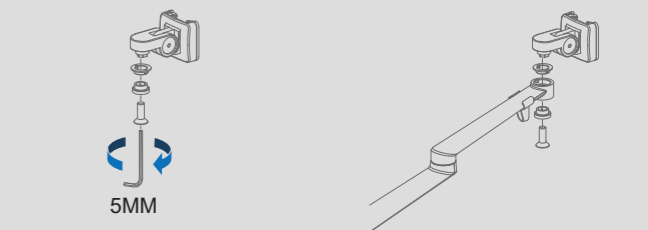
INSTALLING LED RING LIGHT:



a Install the universal ball head at the arm(β) at first, then install the ring fill light.

b If you want to get taller height-using, you could install the extension rod between the universal ball head and the ring fill light.

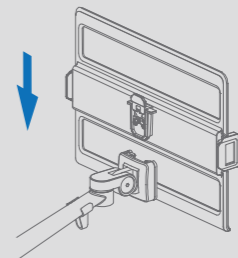
INSTALLING ADAPTOR:



1 Remove the screws from the adaptor by the hex wrench.

2 As the picture shows, put the accessories at the arm(α),tighten the screw.

INSTALLING LAPTOP PLATE:



Insert the Laptop Plate into the groove, when heard a click sound means done.

ADJUST THE BASE AND ROLLERS BY SCREWS:

If you feel the feet not stable or need to elevate the feet height,you can adjust the screw nut as picture.

1 Lower nut: Loose it to adjust the height.
2 Upper nut: After adjusted the height, please tighten the upper nut.

