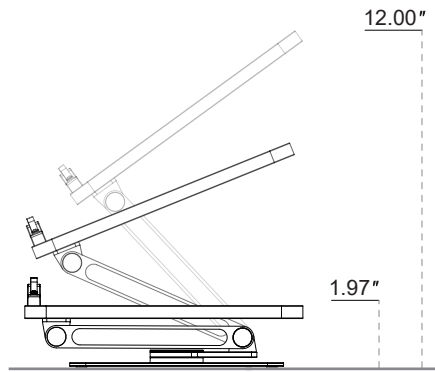
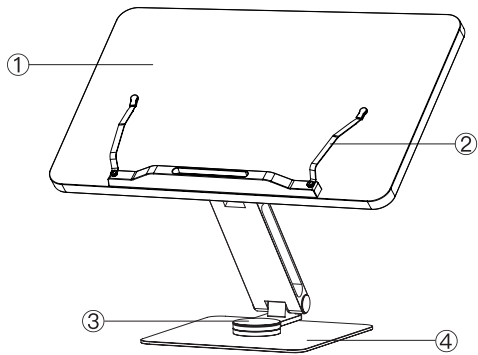


PRODUCT HEIGHT



Height range above is the recommended range for using laptop.
(Not maximum adjustable height range)
To ensure the device safety, please keep height in this range.

STRUCTURE INTRODUCTION



① Bookshelf panel

② Spring clip

③ 360° rotatable base

④ Aluminum alloy base

WARRANTY SERVICE

Never worried when you choose viozon products
We offer the best after-sale service to our customer,
it only takes few minutes.

Just send you name and order number to



US service@vio-zon.com

EU support@vio-zon.com

And then you will get a complete service like The installation guide, Technical support, New product iteration, buy New similar products in advance , promotions, and warranty service from Viozon.

FEEDBACK

Share it?
Let us know with a customer review.

Viozon is focus on high-standard product, we believe Customer drive our product upgrades. And write a review that sharing your experience will help other customers , and this will give us great encouragement and confidence.

And if you have any questions, please feel free to contact us without hesitate.

FOR HELP PLEASE CONTACT US:



Facebook: Viozon



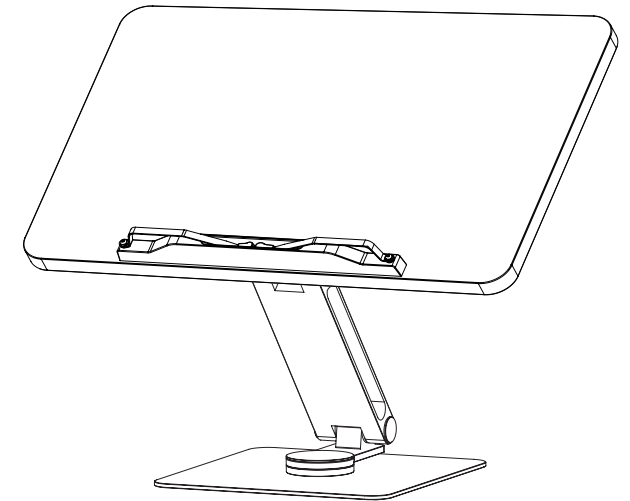
US service@vio-zon.com

EU support@vio-zon.com



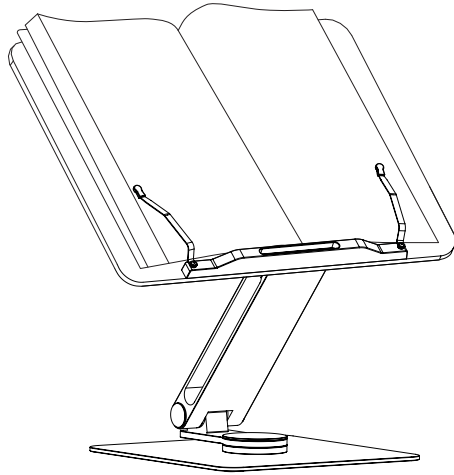
www.vio-zon.com

viozon®

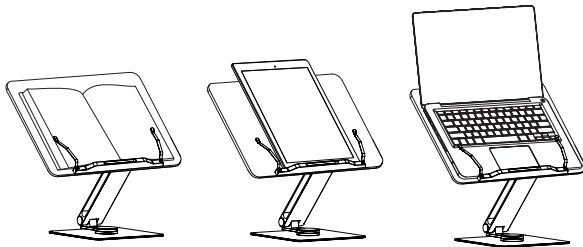


BG-2VBY User Manual

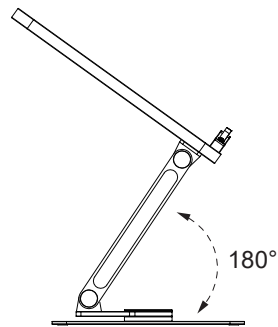
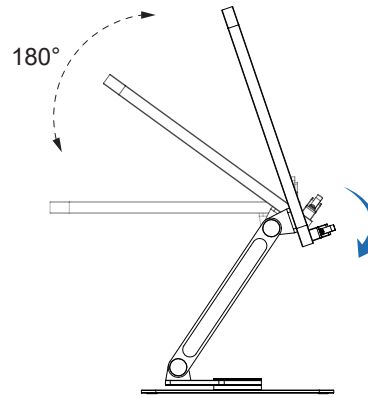
APPLICATION



Compatible with the majority of laptops, books and tablets.

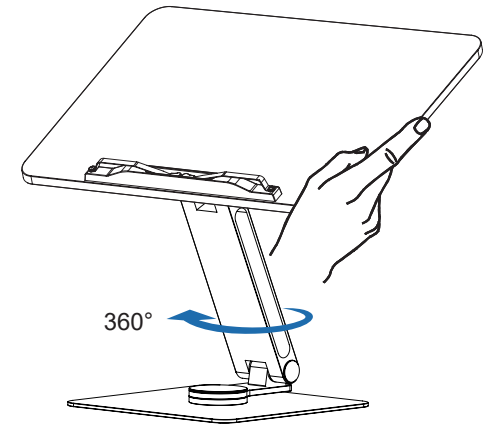


ANGLE ADJUSTMENT



Note: Parameters mentioned in above figure show the stand's maximum angle extension adjustment. Please adjust the viewing angle appropriately and ensure safety of the device.

ROTATABLE BASE



The base can be rotated 360° and stopped at will to meet your needs of different angles.



Note: Please ensure that the item placed is within the maximum bearing capacity of the equipment (about 2kg).