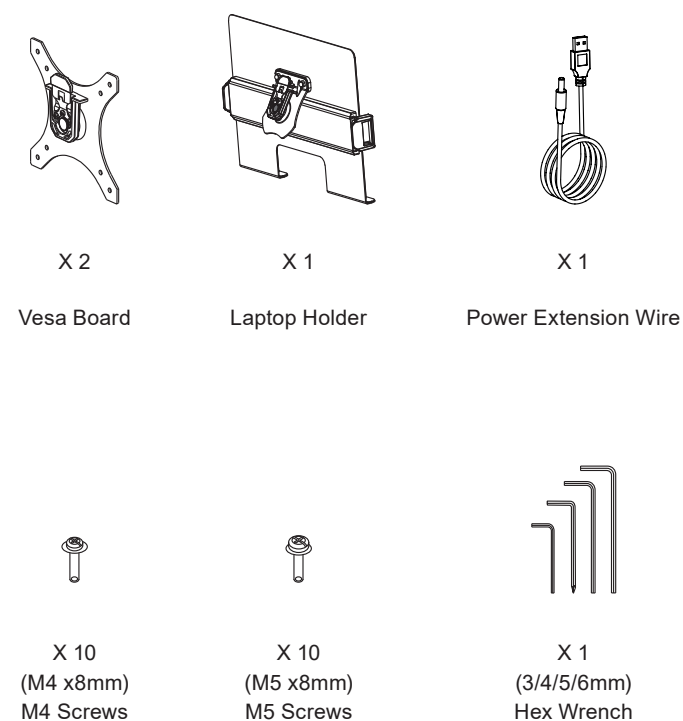
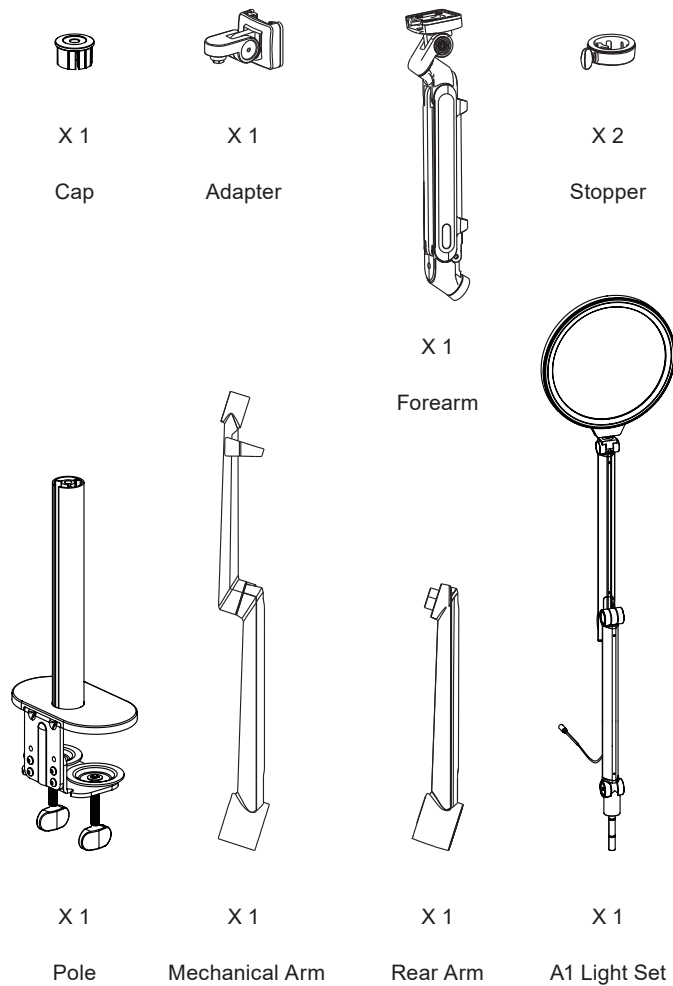
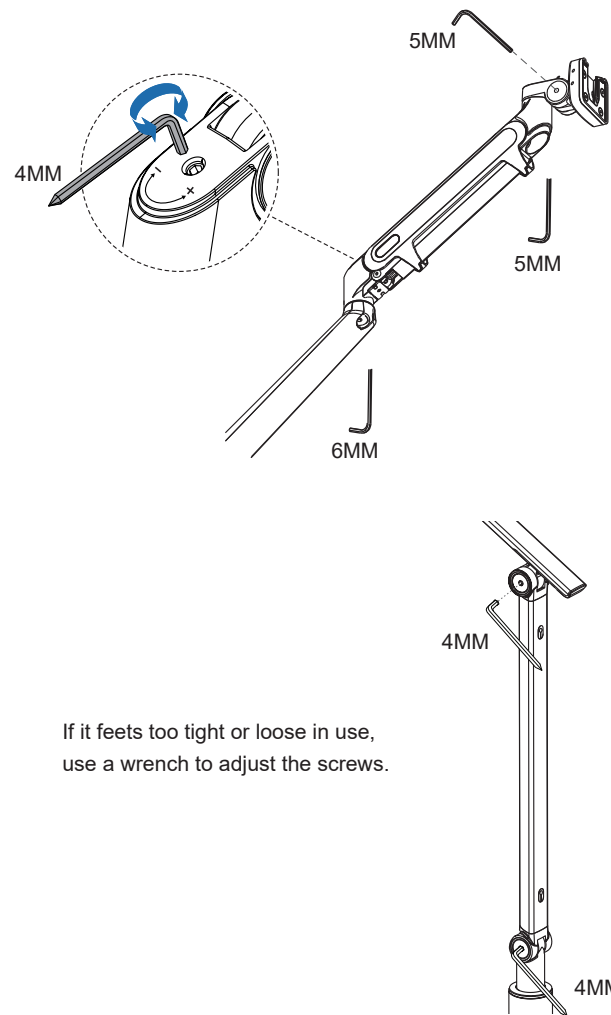


TENSION ADJUSTMENTS

PARTS LIST



WARRANTY SERVICE

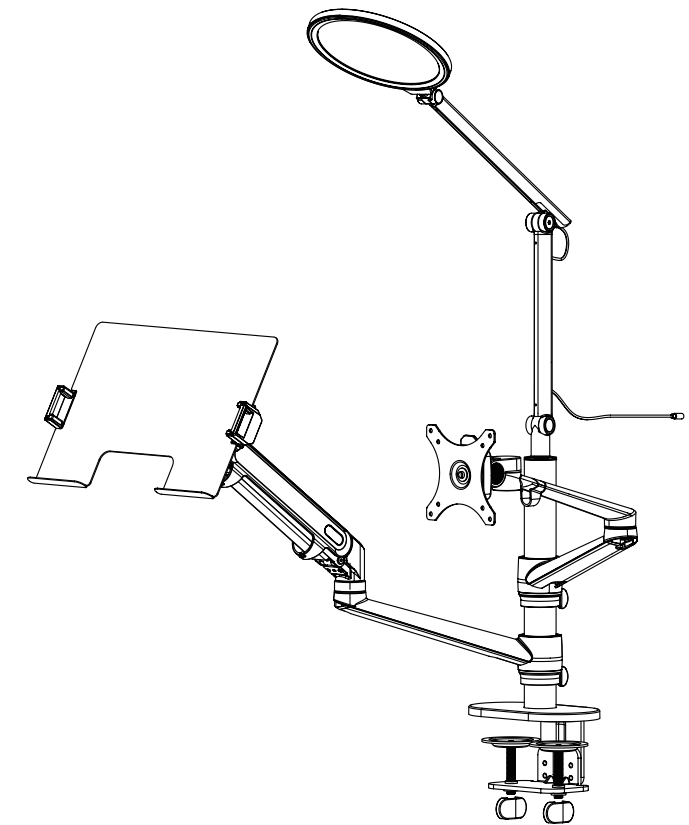
Never worried when you choose viozon products
We offer the best after-sale service to our customer, it only takes a few minutes.

Just send your name and order number to



US service@vio-zon.com
EU support@vio-zon.com

And then you will get a complete service like The installation guide, Technical support, New product iteration, buy New similar products in advance , promotions, and warranty service from Viozon.



WARNING

- * Make sure to read the manual before installation and fully understand how to install, if you have any questions, please visit our website or contact the relevant after-service.
- * Kindly please make sure the desktop could bear the weight of mount and monitor before installation.
- * Please use attached tools or relevant support tools during installation
- * This product contains small parts, keep these away from children.

FEEDBACK

Share it?
Let us know with a customer review.

Viozon is focus on high-standard product, we believe Customer drive our product upgrades. And write a review that sharing your experience will help other customers , and this will give us great encouragement and confidence.

And if you have any questions, please feel free to contact us without hesitate.

FOR HELP PLEASE CONTACT US:



Facebook: Viozon



US service@vio-zon.com
EU support@vio-zon.com



www.vio-zon.com

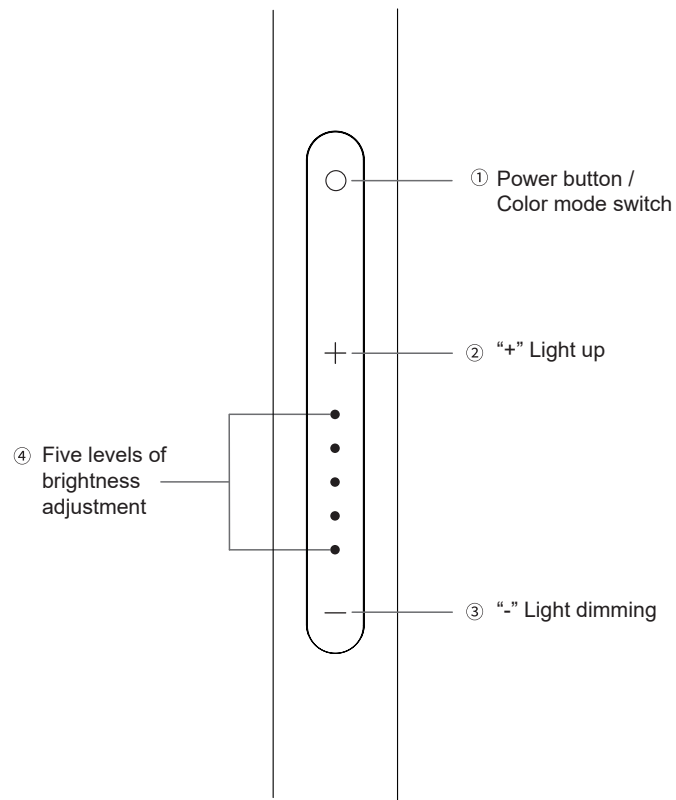


Scan QR code to get install video



Scan QR code below for more products from viozon

LIGHT BUTTON DESCRIPTION

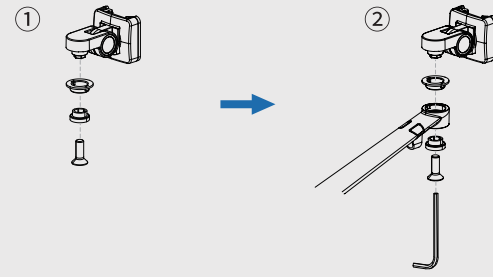


- ① **Power button/Color mode switch:** Long press to turn on the light. Click to adjust the color temperature. You can switch between cold light, warm light, and natural light. Long press again to turn off the light.
- ② **Light up:** Click the "+" to turn up the light, and the top level can be adjusted to the fifth level.
- ③ **Light dimming:** Click the "-" to dim the light and the minimum level can be adjusted to the first level.
- ④ **Five levels of brightness adjustment:** the light level 1~5 can be adjusted, according to your needs to adjust the appropriate brightness.

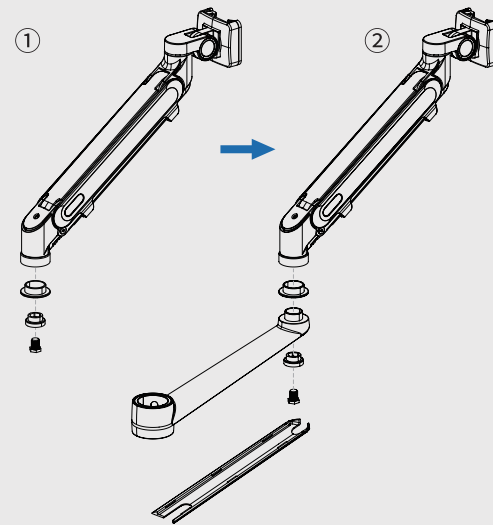
LIGHT PARAMETERS

Product Name	LED Light
Diameter	7inches
Electricity Supply	5V/2A
Color Temperature	3100~6400K
Brightness	700LUX
CRI	>95
Operating temperature	-10~40°C
Materials	Aluminium alloy+PS/ABS

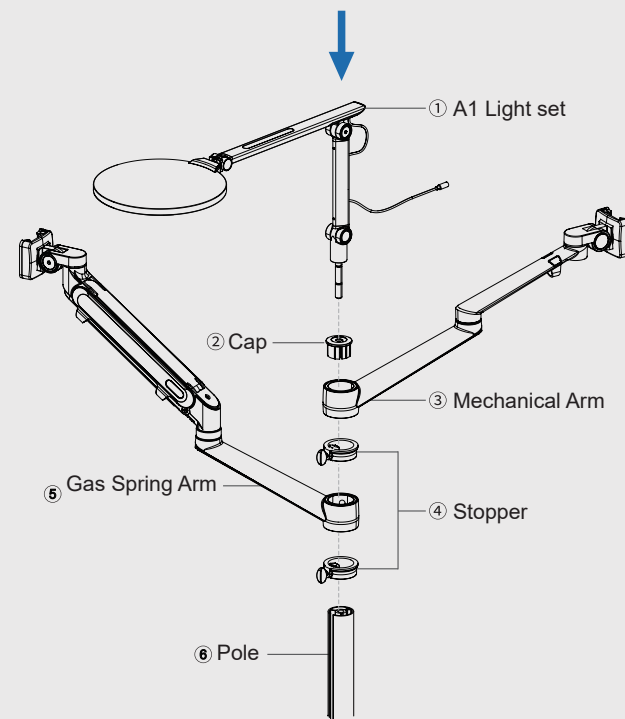
1.INSTALL THE MECHANICAL ARM



2.INSTALL THE GAS SPRING ARM

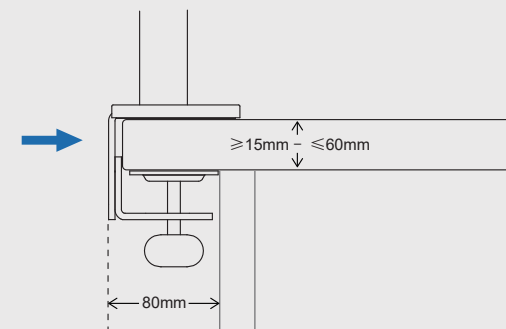


3. ATTACH HARDWARE TO THE POLE



Install the hardware to the pole in sequence as shown.

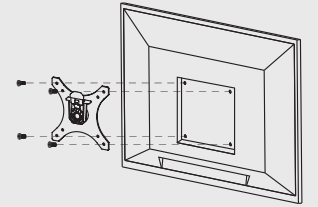
POLE INSTALLATION



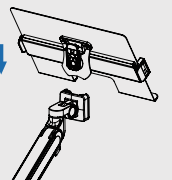
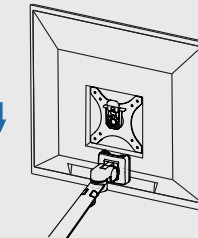
Note: Adjust the height of the clamp to make the pole fit the table top, tighten the clamp to prevent the device loosening.

MONITOR & LAPTOP INSTALLATION

- ① **VESA Installation:** Connect VESA to monitor with monitor screw fitting. Select appropriate screws for installation according to monitor model.

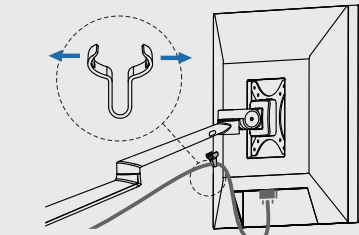
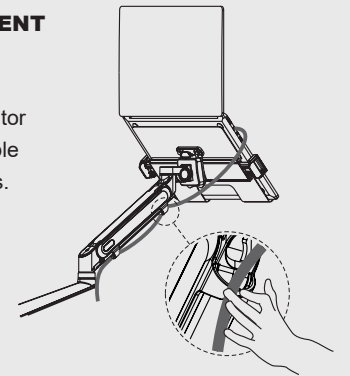


- ② **Monitor & Laptop Installation:** Hold down the rear handle when installing and removing the monitor.



CABLE MANAGEMENT

Route power and monitor cables through the cable clips on the upper links.



Note: Pull open one side of the cable clip to remove it.

Slide the plastic cover on the rear arm upwards until it disengages. Put cables onto the plastic cover inside. Slide the cover downwards until it click into place.

