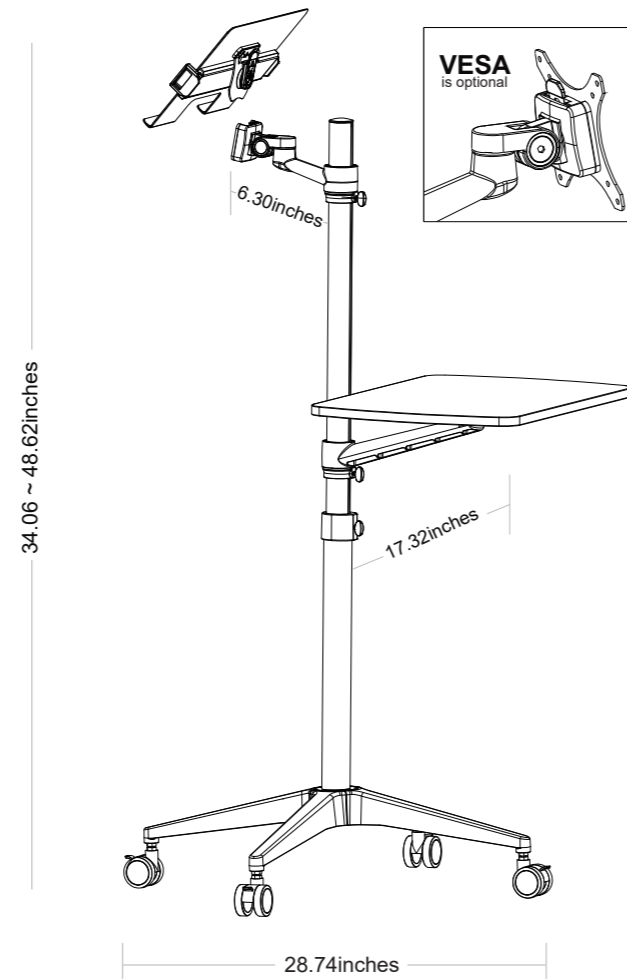
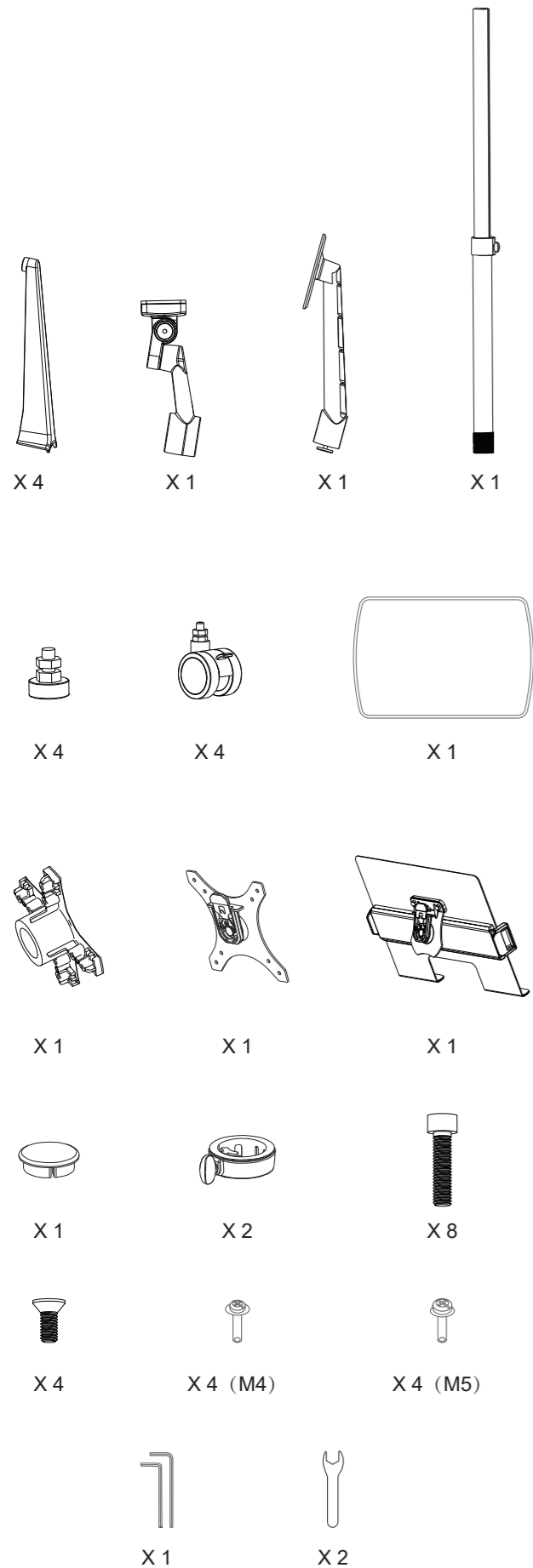


INSTALLATION HARDWARE

PRODUCT SIZE



WARNING

- * Make sure to read the manual before installation and fully understand how to install, if you have any questions, please visit our website or contact the relevant after-service.
- * Please use the supporting tools when installing. It is better for installation by 2 people. Please be careful.
- * This product contains small parts, keep these away from children.

WARRANTY SERVICE

Never worried when you choose viozon products We offer the best after-sale service to our customer, it only takes few minutes.

Just send you name and order number to



US: service@vio-zon.com

EU: support@vio-zon.com

And then you will get a complete service like The installation guide, Technical support, New product iteration, buy New similar products in advance , promotions, and warranty service from Viozon.



Scan QR code below for more products from viozon

FEEDBACK

Share it?
Let us know with a customer review.

Viozon is focus on high-standard product, we believe Customer drive our product upgrades. And write a review that sharing your experience will help other customers , and this will give us great encouragement and confidence.

And if you have any questions, please feel free to contact us without hesitate.

FOR HELP PLEASE CONTACT US:



Facebook: Viozon

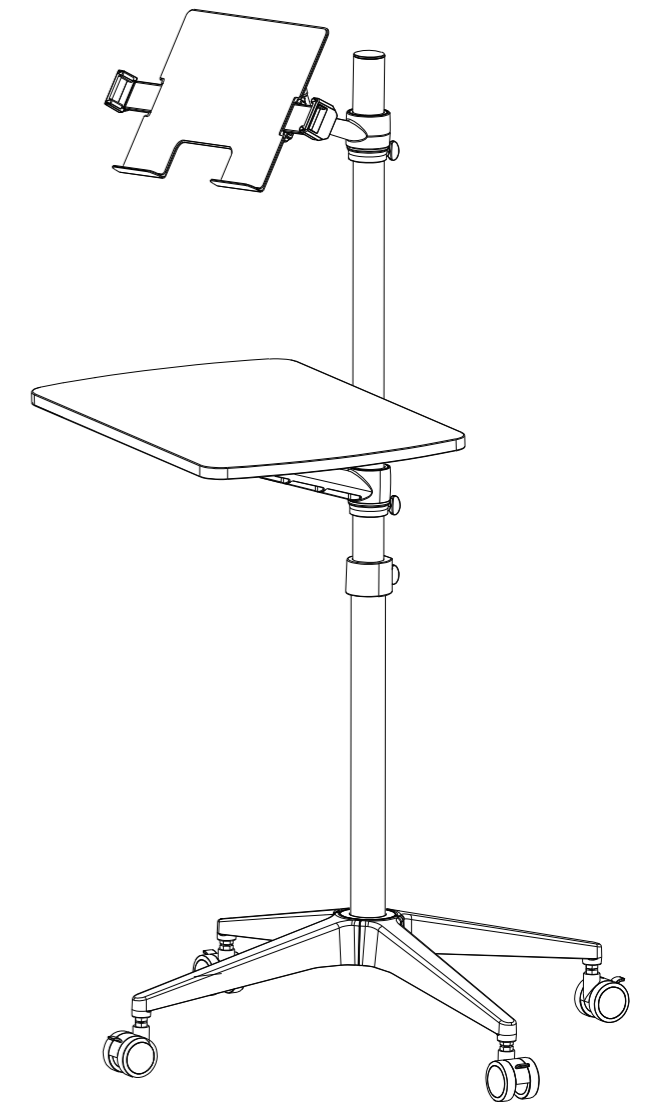


US: service@vio-zon.com
EU: support@vio-zon.com



www.vio-zon.com

viozon®



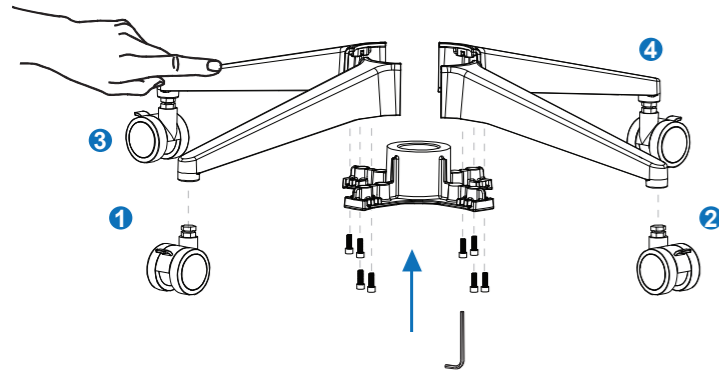
UT-2 Installation Instructions



Scan QR code to get install video

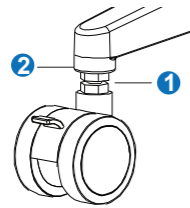
STEP 1

Movable Wheels Base Installation

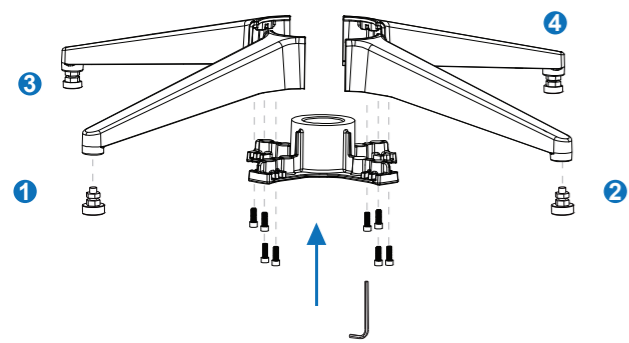


If you feel the feet not stable or need to elevate the feet height, you could adjust the screw nut as picture.

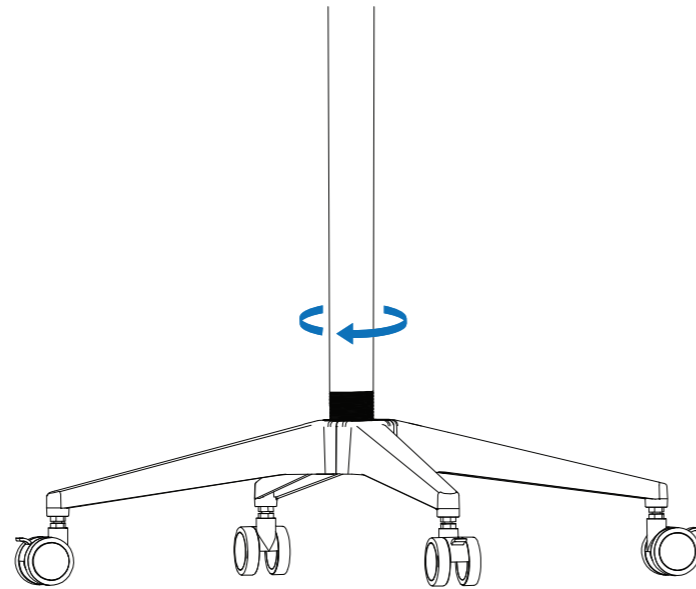
- 1 Lower nut: Adjust the height.
- 2 Upper nut: After adjusting the height, please tighten the nut.



Fixed Base Installation

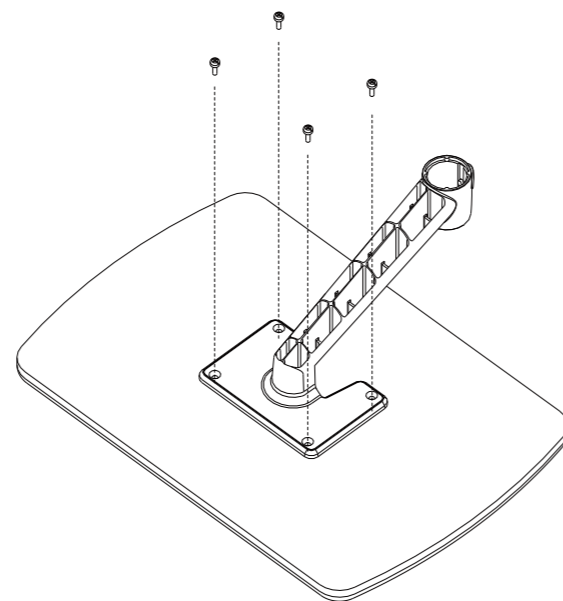


STEP 2

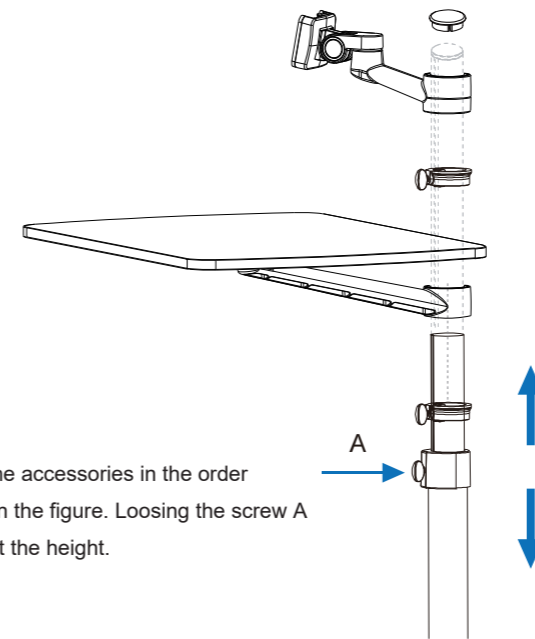


STEP 3

Tighten four screws one by one.



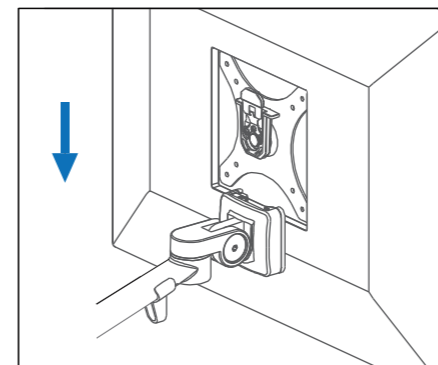
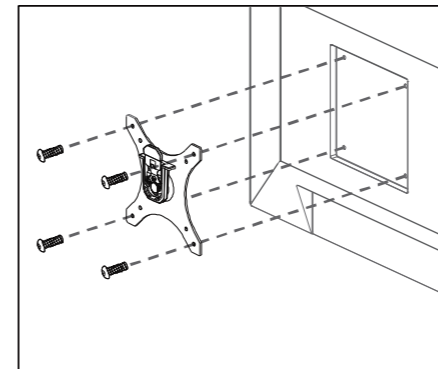
STEP 4



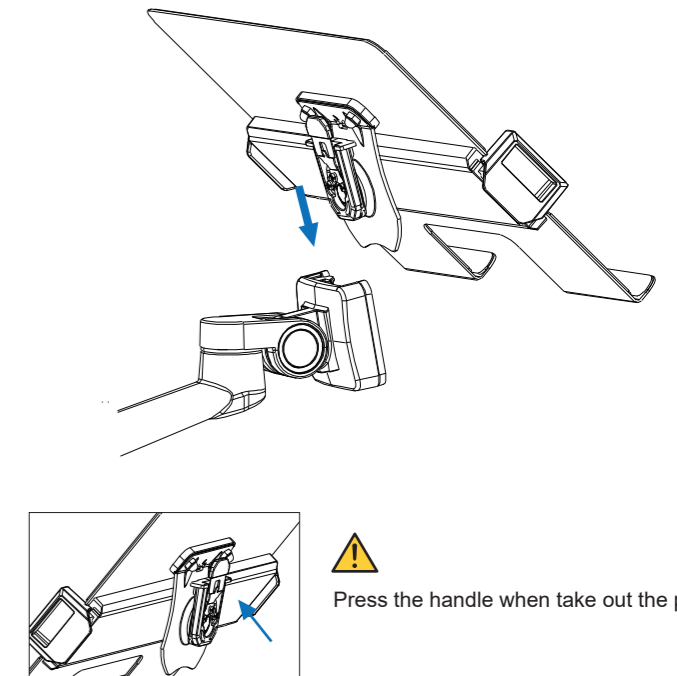
Install the accessories in the order shown in the figure. Loosening the screw A to adjust the height.

INSTALLING MONITOR

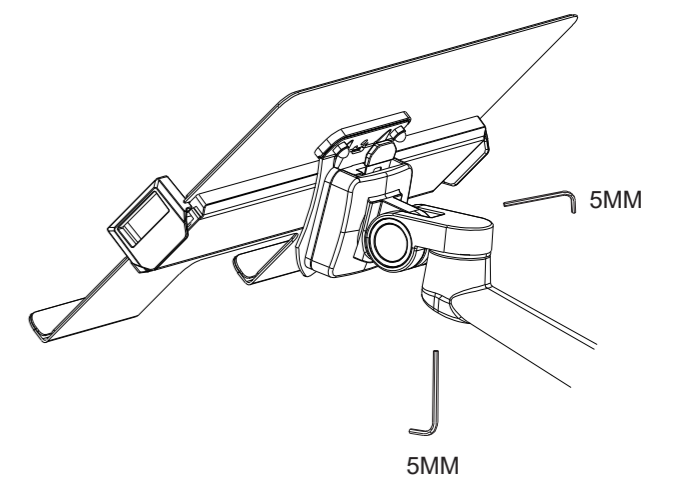
VESA
75x75mm
100x100mm



INSTALLING LAPTOP TRAY



TENSION ADJUSTMENT



If you feel the pitching angle too tight or too loose when adjusting the mount, please adjust the Screw.