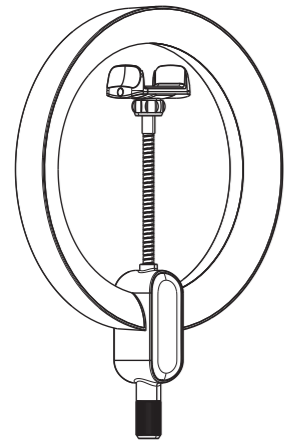
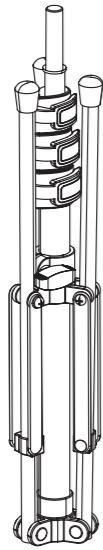


ACCESSORY LIST

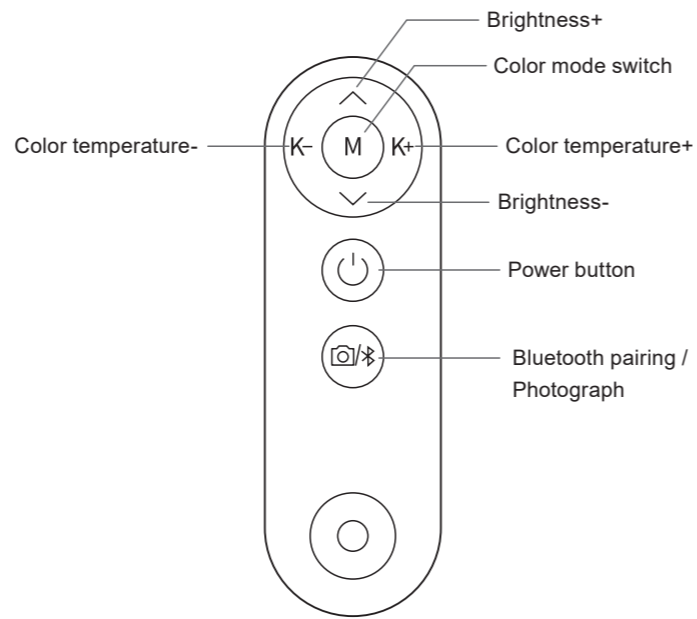
REMOTE DESCRIPTION



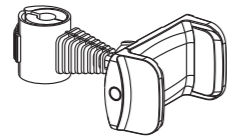
X 1
12" Ring Light



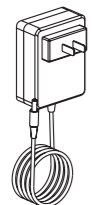
X 1
Tripod



X 1
Remote Control



X 1
Holder for Tripod Tube

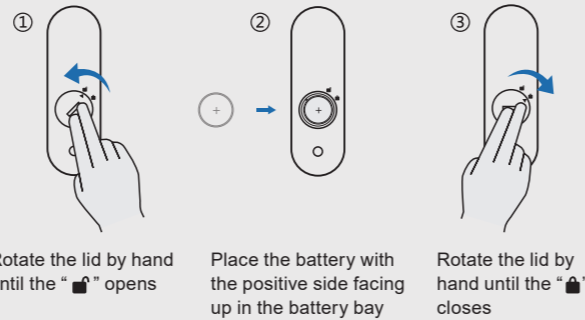


X 1
Power Plug Wire



X 1
Power Extension Wire

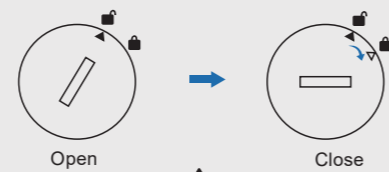
BATTERY INSTALLATION



Rotate the lid by hand until the "☒" opens

Place the battery with the positive side facing up in the battery bay

Rotate the lid by hand until the "☒" closes



Open

Close

Caution: Installing cover incorrectly may render the remote control unusable

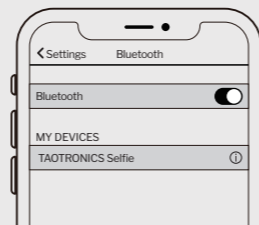
BLUETOOTH PAIRING

1. Start pairing

Press and hold camera/Bluetooth button, product goes into the pairing status.

2. Turn on Bluetooth

Turn on Bluetooth on cellphone, find device "TAOTRONICS Selfie" and start pairing.



3. Take video/photo

Open camera on cellphone, press the camera/Bluetooth button on remote control.

WARRANTY SERVICE

Never worried when you choose viozon products
We offer the best after-sale service to our customer, it only takes a few minutes.

Just send your name and order number to



US service@vio-zon.com
EU support@vio-zon.com

And then you will get a complete service like The installation guide, Technical support, New product iteration, buy New similar products in advance, promotions, and warranty service from Viozon.

FEEDBACK

Share it?

Let us know with a customer review.

Viozon is focus on high-standard product, we believe Customer drive our product upgrades. And write a review that sharing your experience will help other customers, and this will give us great encouragement and confidence.

And if you have any questions, please feel free to contact us without hesitate.

FOR HELP PLEASE CONTACT US:



Facebook: Viozon

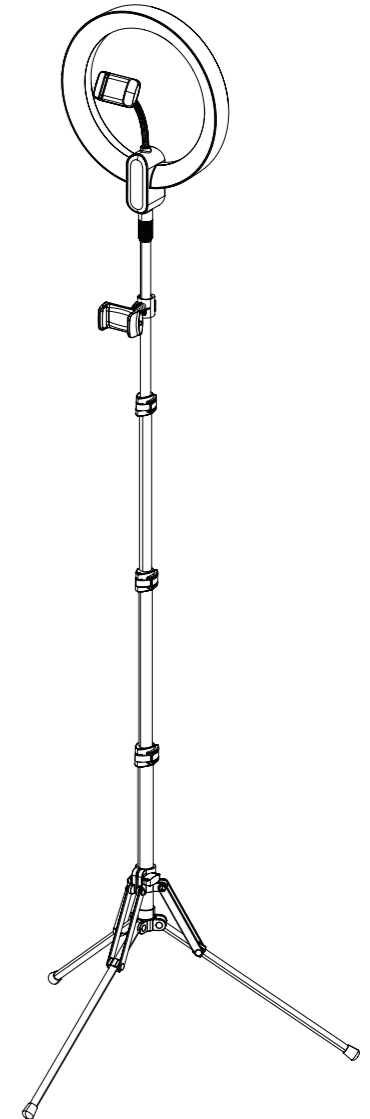


US service@vio-zon.com
EU support@vio-zon.com



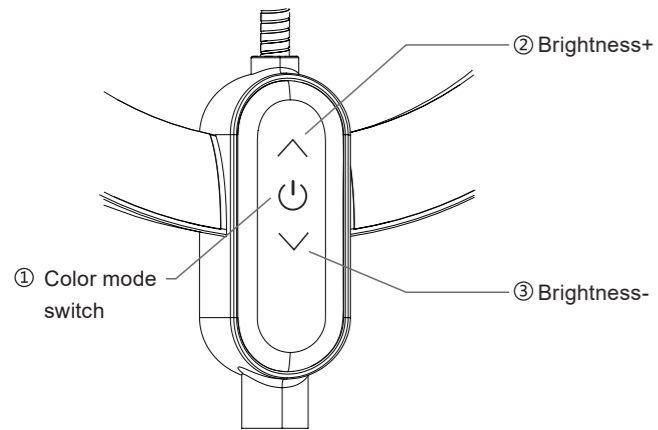
www.vio-zon.com

viozon®



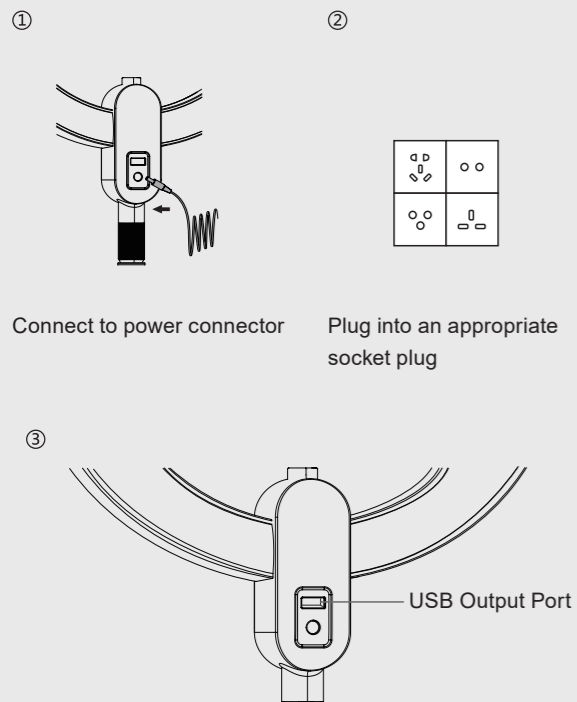
LT-2LS Installation Instructions

RING LIGHT CONTROL



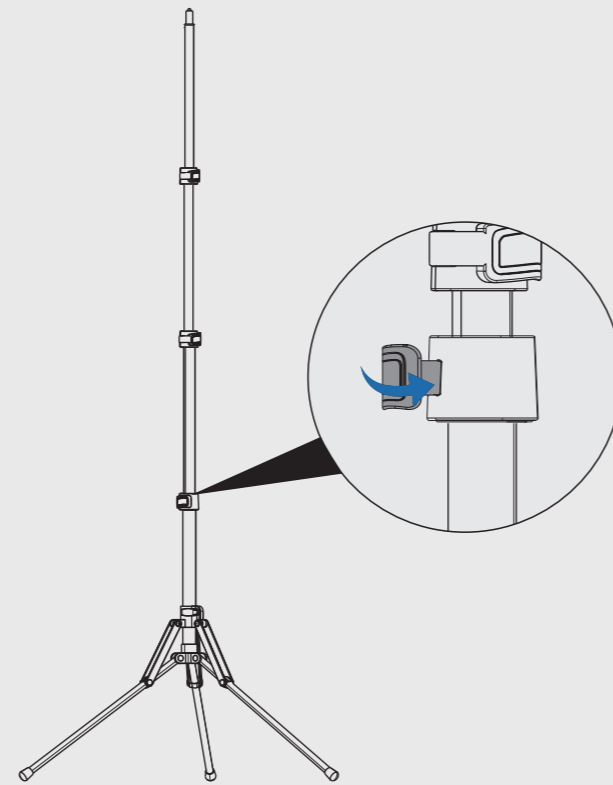
- ① Color mode switch: Press and hold to turn on the light. Press to switch from different color modes: cold, warm, natural. Again, press and hold to turn off the light.
- ② Increase brightness: Tap “^” to increase brightness, 10 levels adjustable.
- ③ Decrease brightness: Tap “v” to decrease brightness, 10 levels adjustable.

CABLE INTERFACE



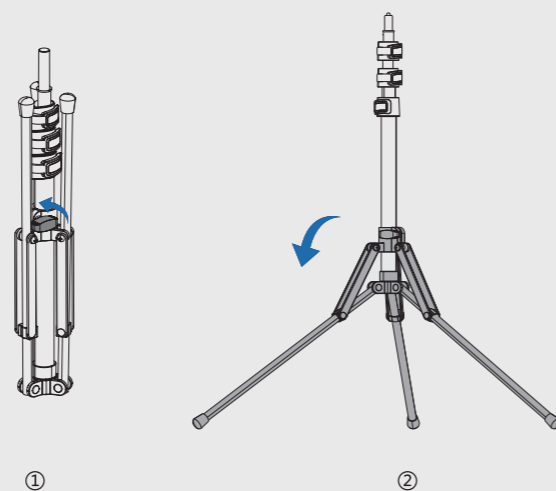
Connect USB output port to charge your device.

2. TRIPOD HEIGHT ADJUSTMENT



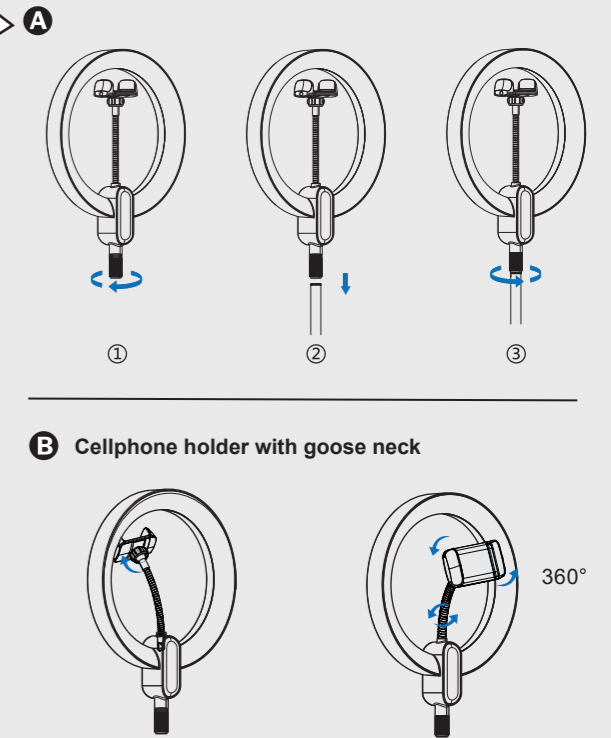
Unlock and adjust the height, lock it again when finish adjustment.

1. INSTALL TRIPOD

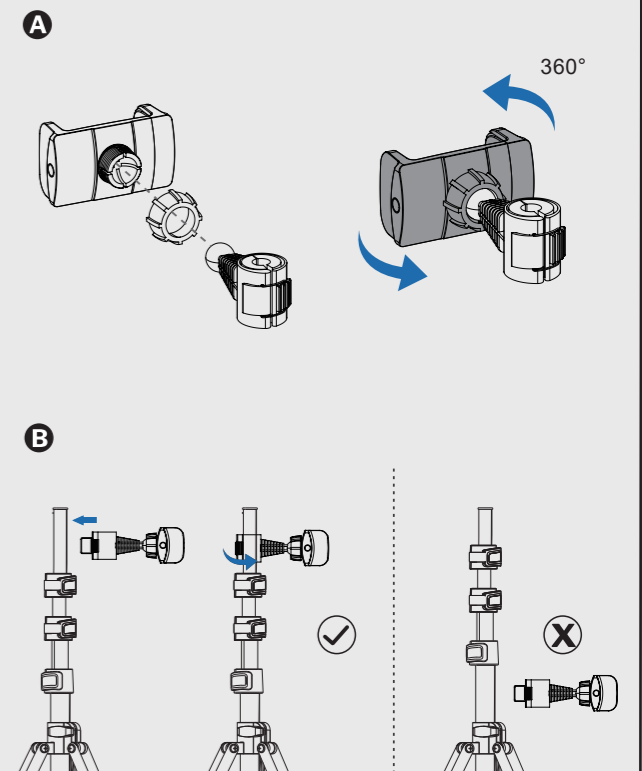


Unscrew the screws, release the legs of the tripod to the desired angle, and tighten the screws after adjustment.

3. RING LIGHT INSTALLATION



4. INSTALL HOLDER FOR TRIPOD



Install the holder for tripod at the height you need. It cannot be installed on the bottom part of pole.