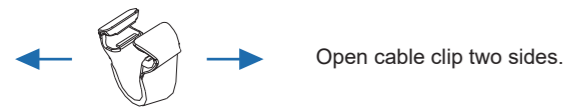
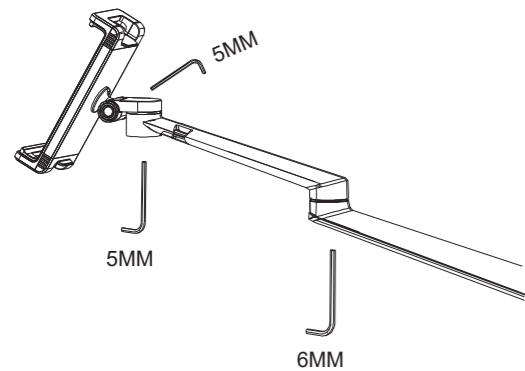
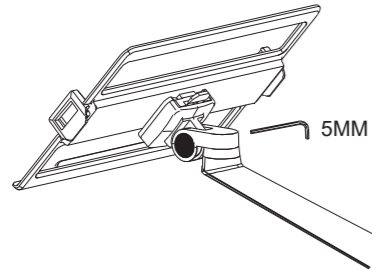


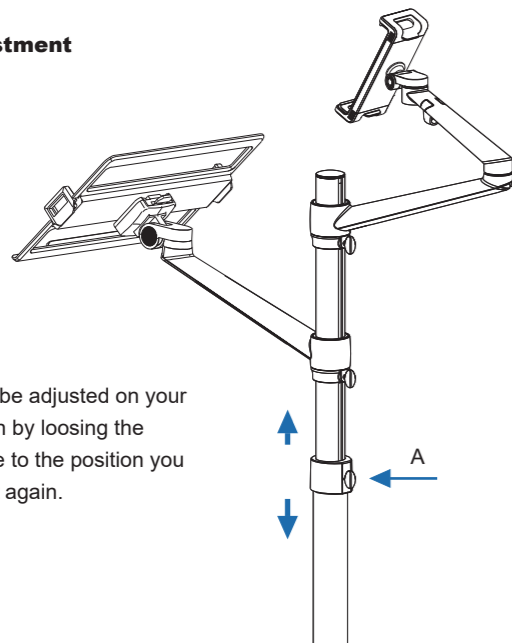
## PRODUCT ADJUSTMENT

### Tension adjustment

If you feel the pitching angle too tight or too loose when adjusting the mount, please adjust the Screw.

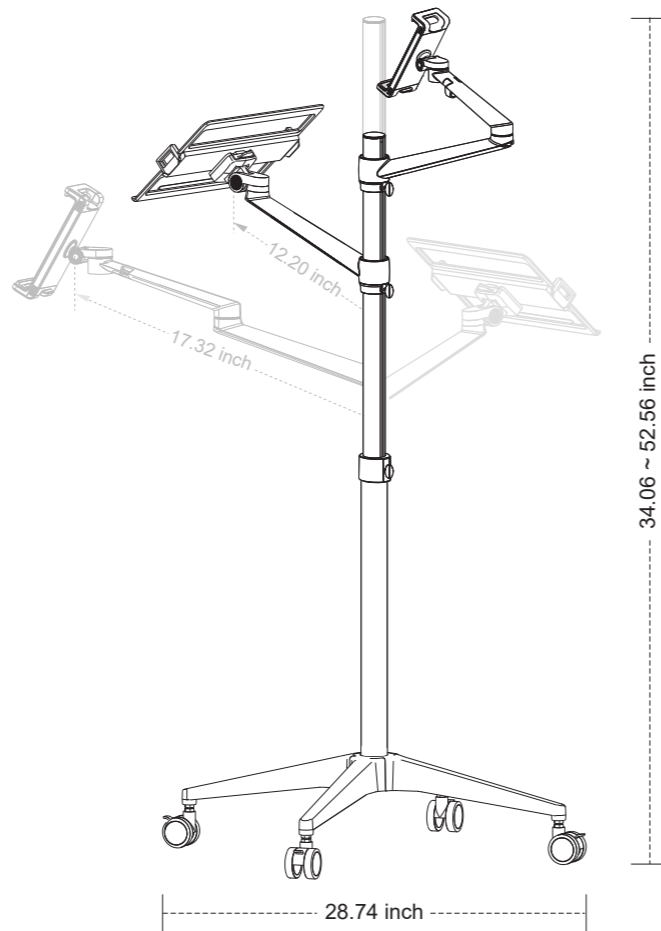


### Height adjustment



The Clip could be adjusted on your desired position by loosening the screw(A), move to the position you want, then fix it again.

## PRODUCT SIZE



## WARNING

- \* Make sure to read the manual before installation and fully understand how to install, if you have any questions, please visit our website or contact the relevant after-service.
- \* Please use the supporting tools when installing. It is better for installation by 2 people. Please be careful.
- \* This product contains small parts, keep these away from children.

## WARRANTY SERVICE

Never worried when you choose viozon products We offer the best after-sale service to our customer, it only takes few minutes.

Just send you name and order number to



US: [service@vio-zon.com](mailto:service@vio-zon.com)

EU: [support@vio-zon.com](mailto:support@vio-zon.com)

And then you will get a complete service like The installation guide, Technical support, New product iteration, buy New similar products in advance, promotions, and warranty service from Viozon.

## FEEDBACK

Share it?  
Let us know with a customer review.

Viozon is focus on high-standard product, we believe Customer drive our product upgrades. And write a review that sharing your experience will help other customers, and this will give us great encouragement and confidence.

And if you have any questions, please feel free to contact us without hesitate.

FOR HELP PLEASE CONTACT US:



Facebook: Viozon

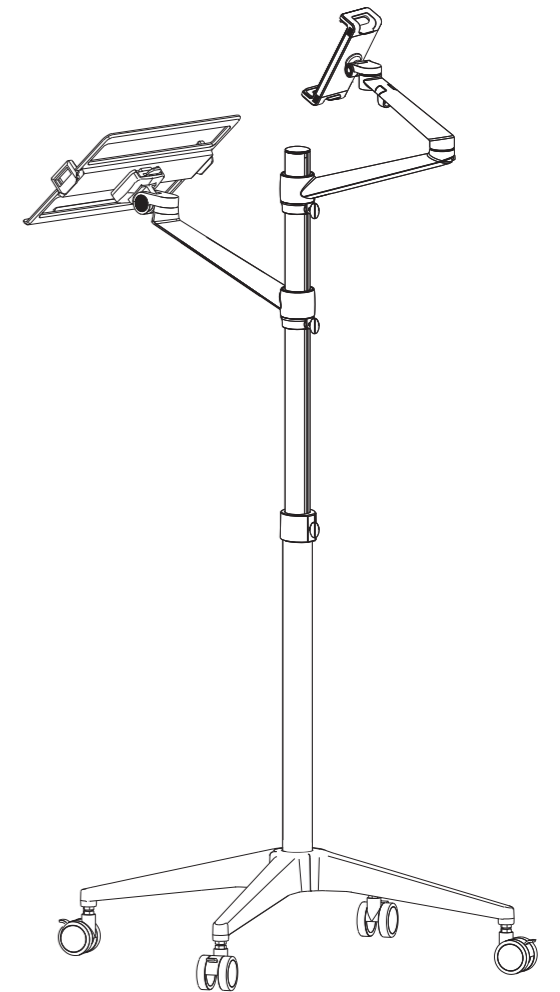


US: [service@vio-zon.com](mailto:service@vio-zon.com)  
EU: [support@vio-zon.com](mailto:support@vio-zon.com)



[www.vio-zon.com](http://www.vio-zon.com)

viozon®



# UP-9L Installation Instructions

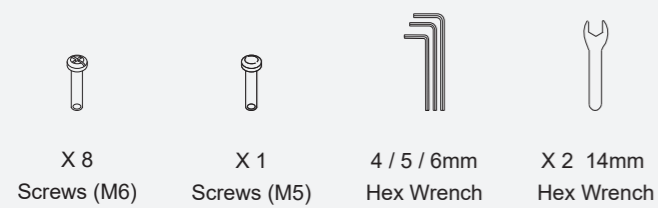
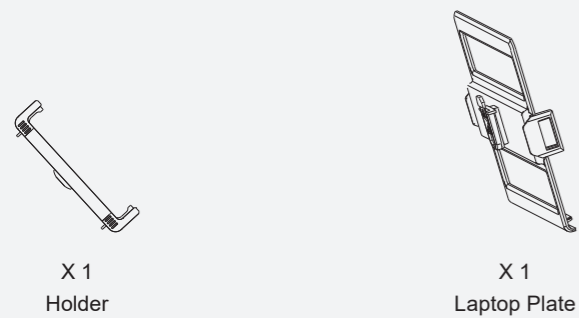
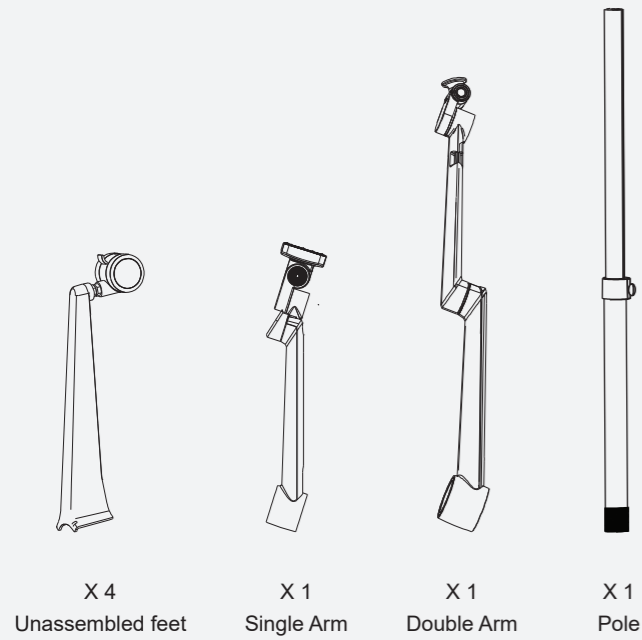


Scan QR code to get install video



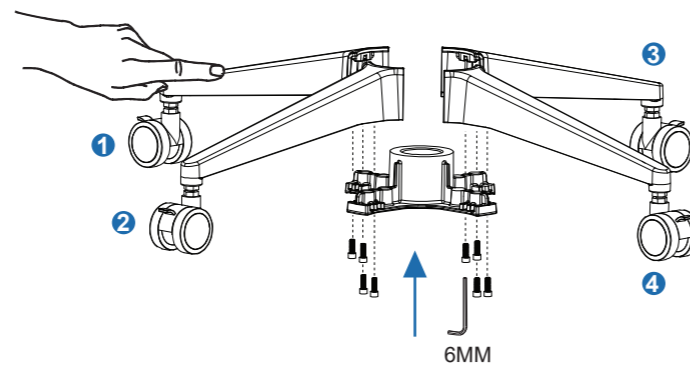
Scan QR code below for more products from viozon

## INSTALLATION ACCESSORIES

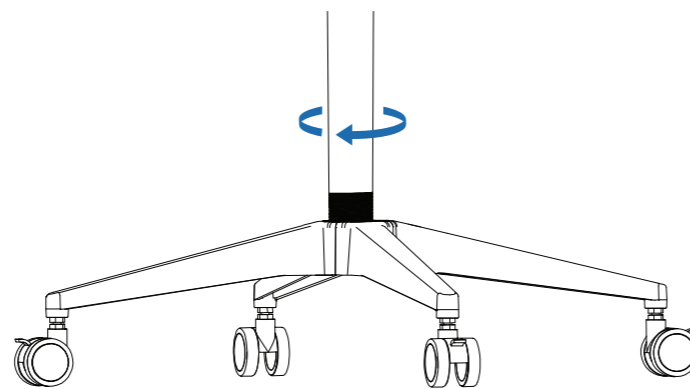


## STEP1.INSTALL STAND BASE & POLE

Use M6 screws connect feet fixing block and four feet.

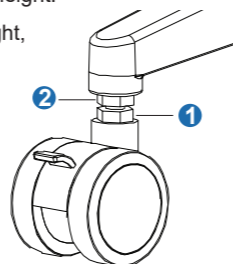


Screw the pole into the base.



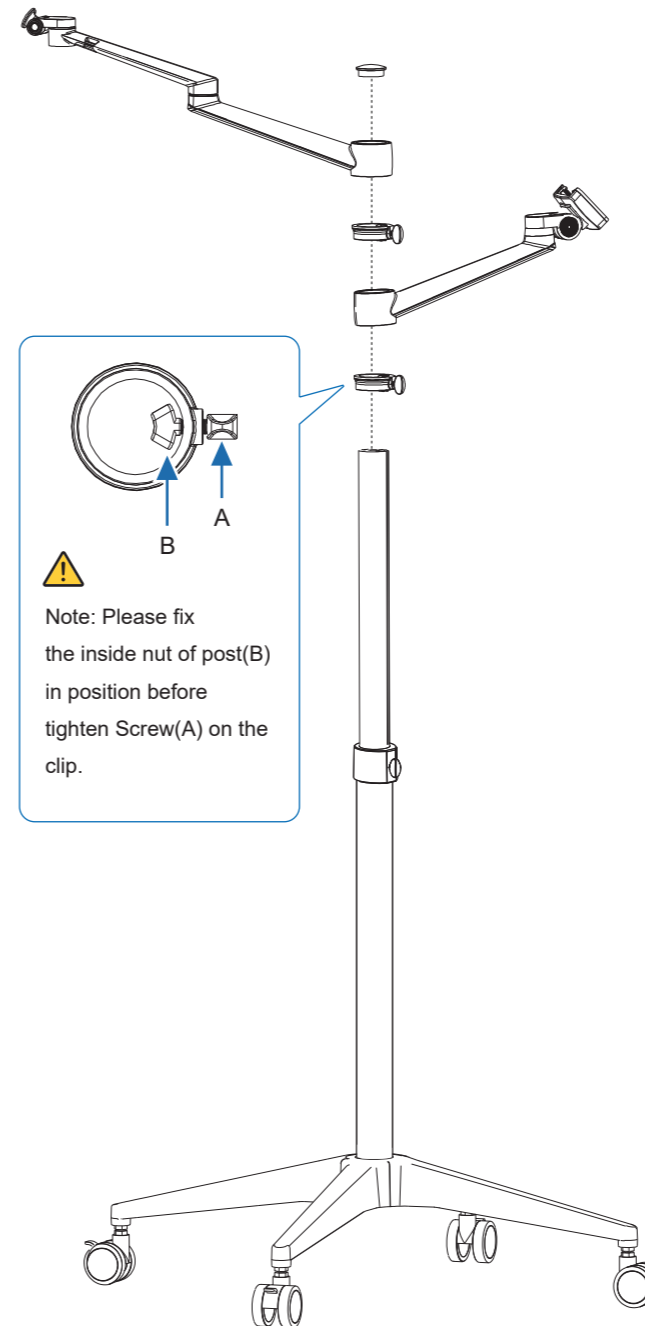
**!** If you feel the feet not stable or need to elevate the feet height, you can adjust the screw nut as picture.

- 1 Lower nut: Loose it to adjust the height.
- 2 Upper nut: After adjusted the height, please tighten the upper nut.



## STEP2.ATTACH ARMS TO THE POLE

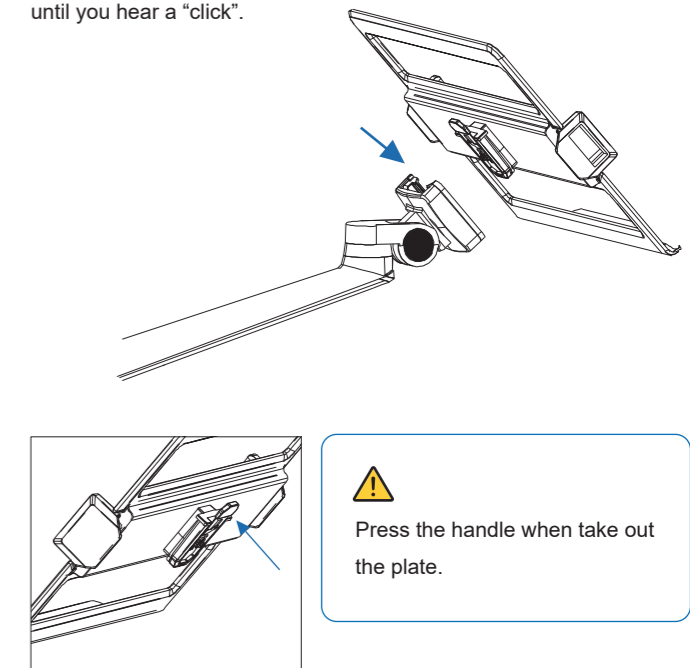
As shown in the figure, clip -- single arm -- clip -- double arm -- cap, and tighten the screw of clips.



## STEP3.ATTACH DEVICES TO ARM

### Attach laptop plate to arm

Slide the laptop tray down the slot on the single arm until you hear a "click".



### Attach holder to arm

Connecting holder to adaptor, put screw in it and fix it with 4mm Hex Wrench.

