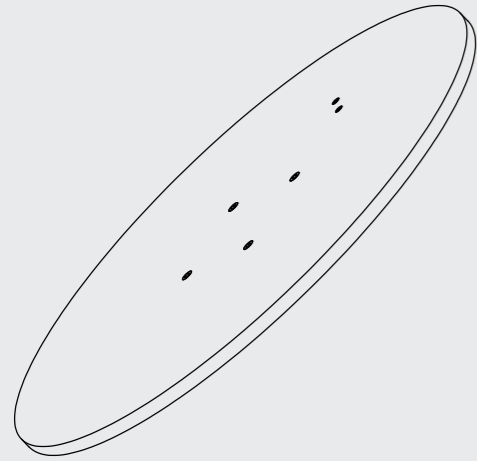


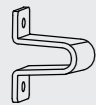
## INSTALLATION HARDWARE

## WARNING

- \* Please read this manual carefully and make sure fully understand it before installation. If there is any confusion, please visit our website or contact our after-service team.
- \* Please use attached tools or relevant support tools during installation.
- \* This product contains small parts. Please keep them away from children.



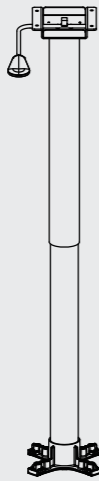
X 1



X 1



X 4



X 1



X 2



X 4



X 8



X 4



X 3



X 2

## WARRANTY SERVICE

Never worried when you choose viozon products. We offer the best after-sale service to our customer, it only takes few minutes.

Just send your name and order number to



US: [service@vio-zon.com](mailto:service@vio-zon.com)

EU: [support@vio-zon.com](mailto:support@vio-zon.com)

And then you will get a complete service like The installation guide, Technical support, New product iteration, buy New similar products in advance, promotions, and warranty service from Viozon.



Scan QR code below for more products from viozon

## FEEDBACK

Share it?  
Let us know with a customer review.

Viozon is focus on high-standard product, we believe Customer drive our product upgrades. And write a review that sharing your experience will help other customers, and this will give us great encouragement and confidence.

And if you have any questions, please feel free to contact us without hesitate.

FOR HELP PLEASE CONTACT US:



Facebook: Viozon

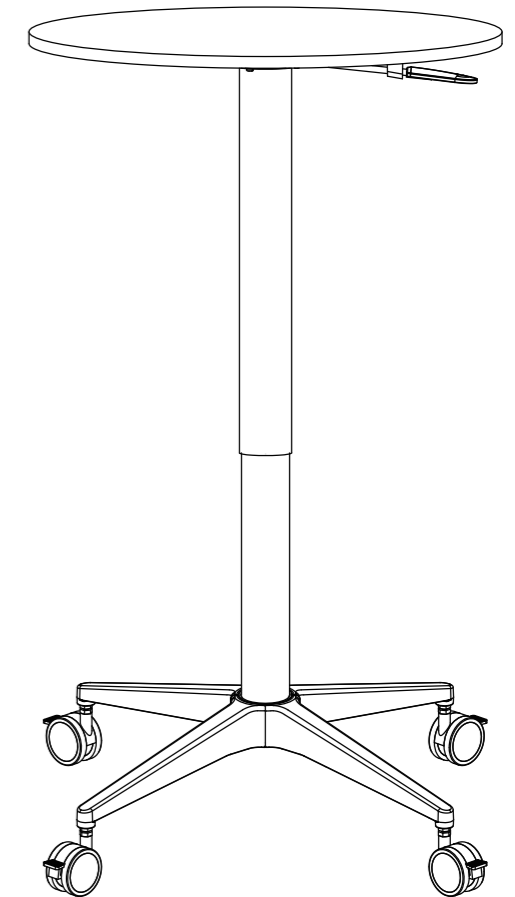


US: [service@vio-zon.com](mailto:service@vio-zon.com)  
EU: [support@vio-zon.com](mailto:support@vio-zon.com)



[www.vio-zon.com](http://www.vio-zon.com)

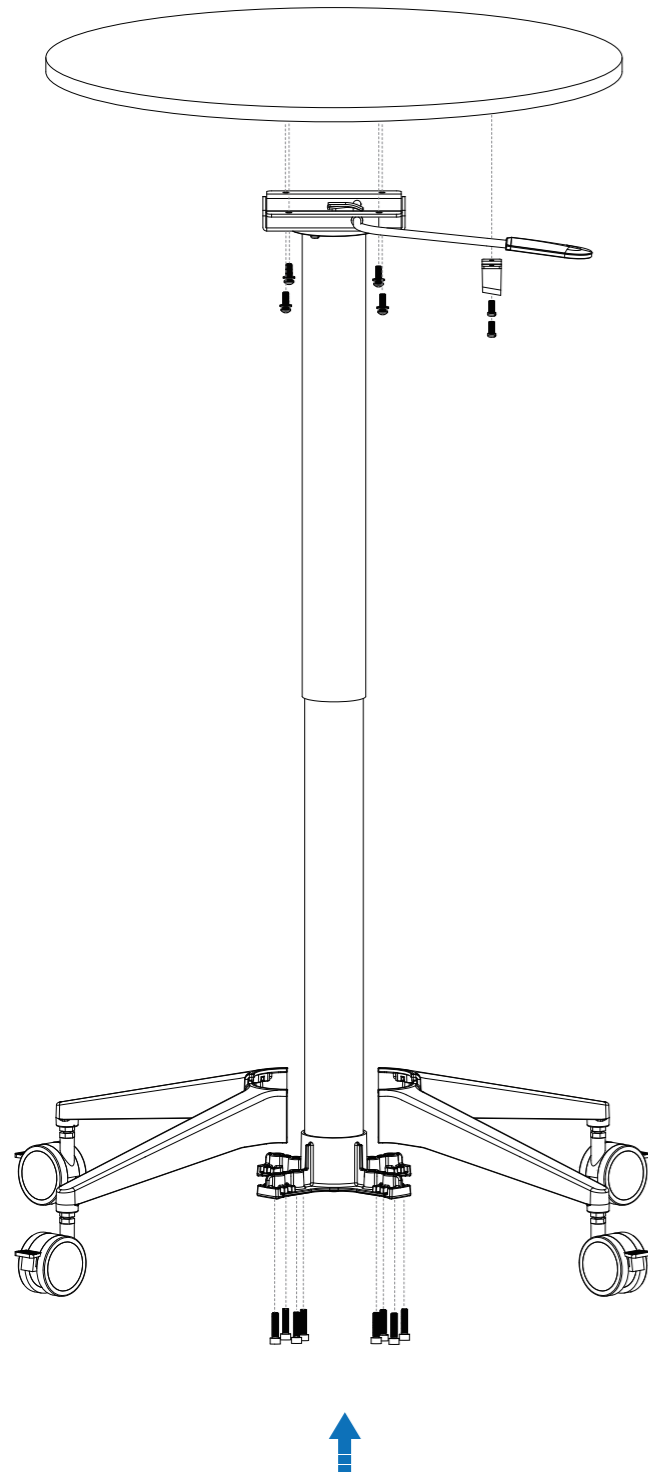
viozon®



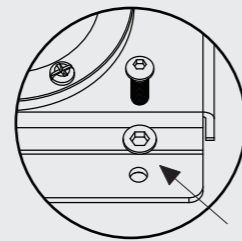
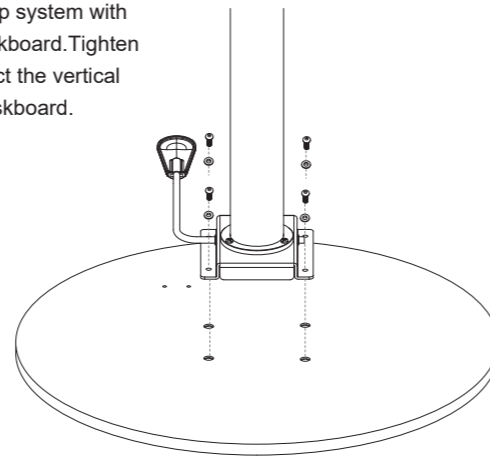
# UP-10CH Installation Instructions




Scan QR code to get install video

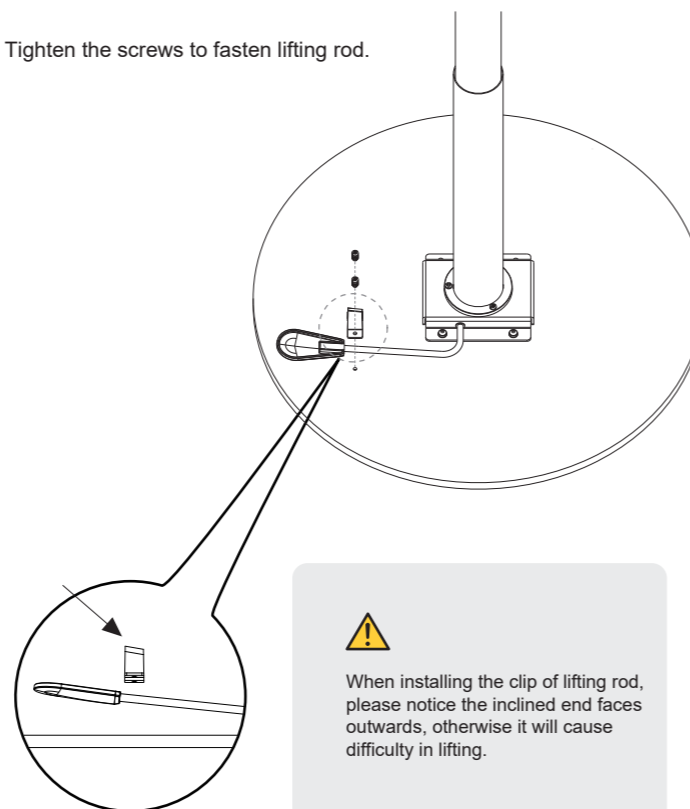



Align the vertical prop system with the holes on the deskboard. Tighten the screws to connect the vertical prop system and deskboard.

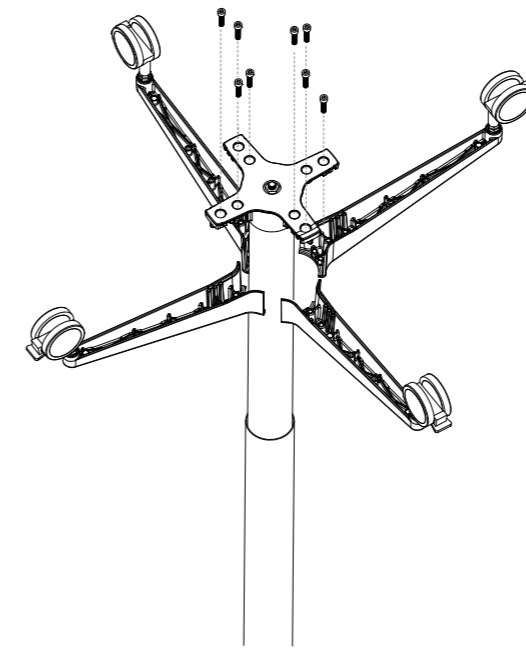


 Put the spacer under the screws before tightening them, as shown in left figure.

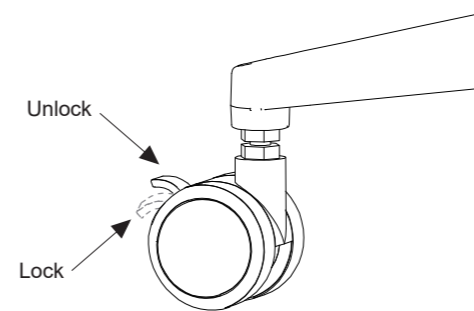
Tighten the screws to fasten lifting rod.




 When installing the clip of lifting rod, please notice the inclined end faces outwards, otherwise it will cause difficulty in lifting.

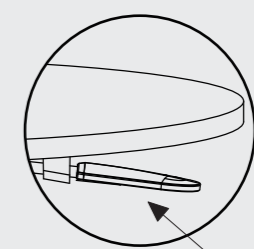
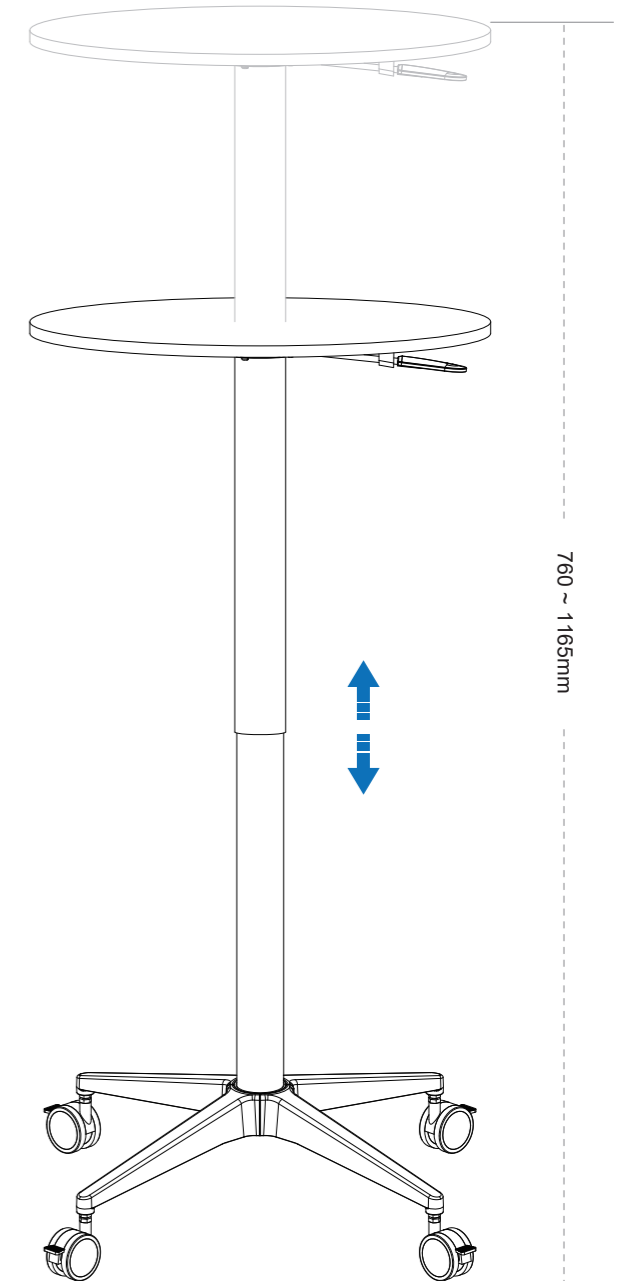
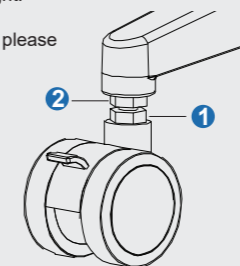



To install four aluminum feet with wheels, tighten the screws to fasten it with the vertical prop.



 If you feel the feet not stable or need to elevate the feet height, you can adjust the screw nut as picture.

- 1 Lower nut: Loose it to adjust the height.
- 2 Upper nut: After adjusted the height, please tighten the upper nut.



 Press and hold the lifting rod to raise or lower deskboard.