

INSTALLATION HARDWARE



X 1
Pole



X 1
Tray



X 1
Base



X 1
Folding Rod

Additional Parts Box



X 6
Screws (M3*10)



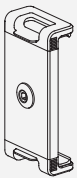
X 6
Screw Shim



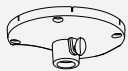
X 1
Screws (M5*10)



X 1
Screws (M8)



X 1
Holder



X 1
Tray Base



5mm 4mm
Hex Wrench



This product contains small parts, keep these away from children.

WARRANTY SERVICE

Never worried when you choose viozon products We offer the best after-sale service to our customer, it only takes few minutes.

Just send you name and order number to



US: service@vio-zon.com

EU: support@vio-zon.com

And then you will get a complete service like The installation guide, Technical support, New product iteration, buy New similar products in advance , promotions, and warranty service from Viozon.

FEEDBACK

Share it?
Let us know with a customer review.

Viozon is focus on high-standard product, we believe Customer drive our product upgrades. And write a review that sharing your experience will help other customers , and this will give us great encouragement and confidence.

And if you have any questions, please feel free to contact us without hesitate.

FOR HELP PLEASE CONTACT US:



Facebook: Viozon

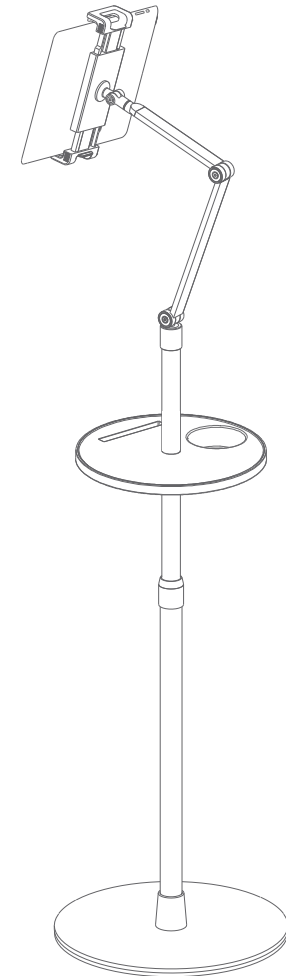


US: service@vio-zon.com
EU: support@vio-zon.com



www.vio-zon.com

viozon®

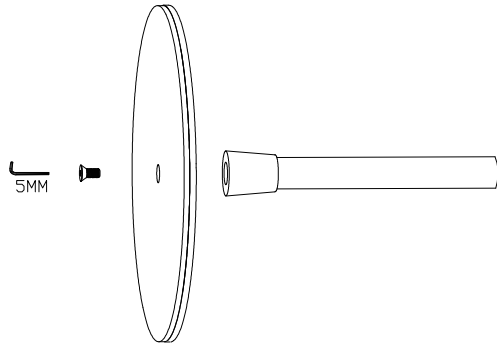


UP-9Z User Manual



Scan QR code below for more products from viozon

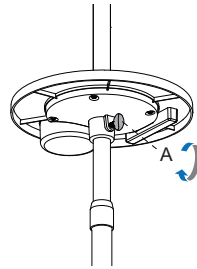
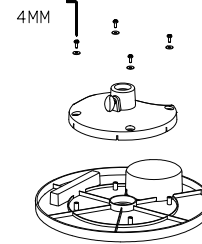
STEP.1: INSTALL STAND BASE / POLE



Insert the pole into the base and fasten the screw(M8) with wrench from the bottom of base.

STEP.2: INSTALL TRAY

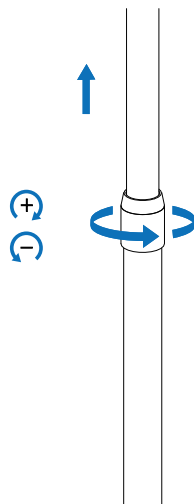
Connect tray base and tray with screw(M3*10) and screw shim.



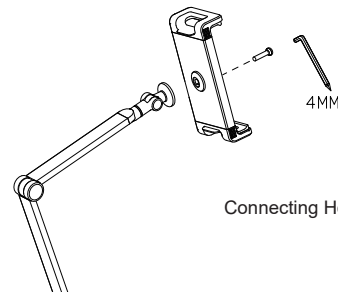
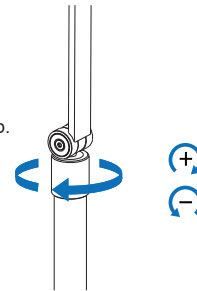
Install the tray from the top of the pole, adjust it to the appropriate position, and tighten knob A.

STEP.3: INSTALL FOLDING ROD / HOLDER

Loose the knob, pull out inner pole at suitable height and then tighten knob, make sure knob is tightened.



Put the knob at the pole, then fully tighten the knob.



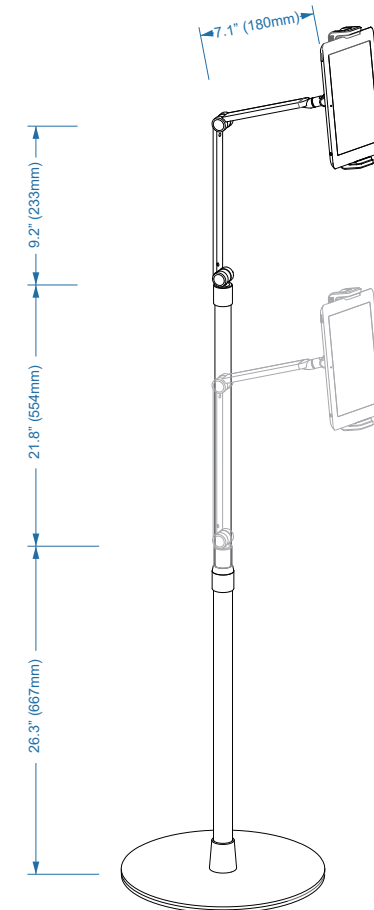
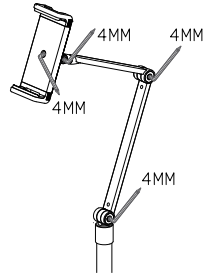
Connecting Holder's cross to adaptor, screw it.

PRODUCT FUNCTION



TENSION ADJUSTMENT

Adjust the tension of the equipment through wrench.



APPLIED IN:
7~10" Tablet
3.5~6" Smartphone