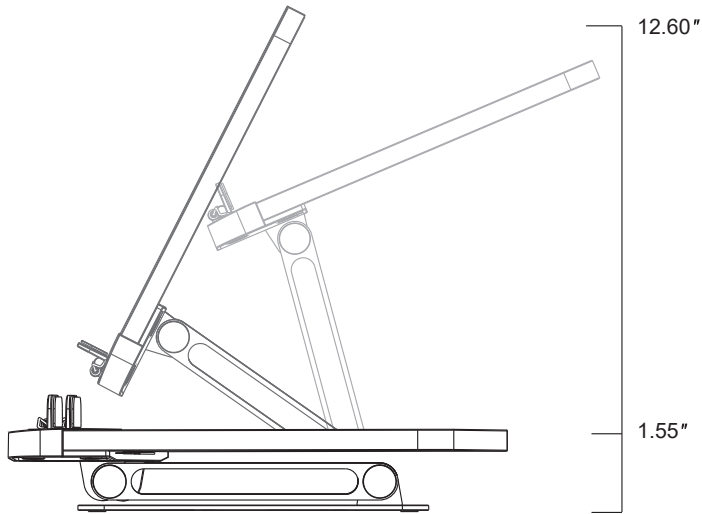


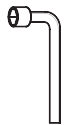
## PRODUCT HEIGHT



Above sizes just for your reference, kindly please attention when in use.

## PARTS LIST

Wrench X 1



## WARRANTY SERVICE

Never worried when you choose viozon products We offer the best after-sale service to our customer, it only takes few minutes.

Just send you name and order number to



US: [service@vio-zon.com](mailto:service@vio-zon.com)

EU: [support@vio-zon.com](mailto:support@vio-zon.com)

And then you will get a complete service like The installation guide, Technical support, New product iteration, buy New similar products in advance , promotions, and warranty service from Viozon.

## FEEDBACK

**Share it?**  
Let us know with a customer review.

Viozon is focus on high-standard product, we believe Customer drive our product upgrades. And write a review that sharing your experience will help other customers , and this will give us great encouragement and confidence.

And if you have any questions, please feel free to contact us without hesitate.

FOR HELP PLEASE CONTACT US:



Facebook: Viozon



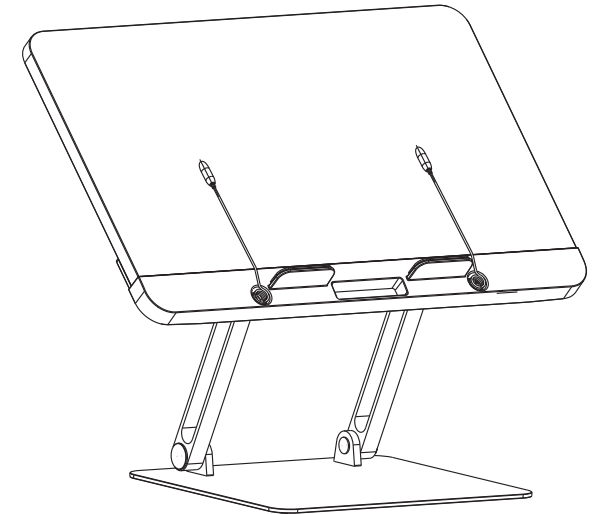
US: [service@vio-zon.com](mailto:service@vio-zon.com)

EU: [support@vio-zon.com](mailto:support@vio-zon.com)



[www.vio-zon.com](http://www.vio-zon.com)

viozon®

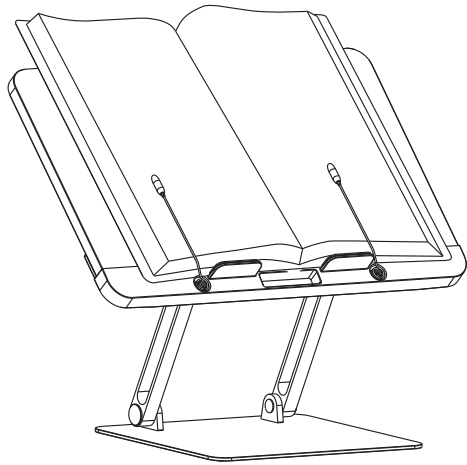


# AP-2DT User Manual

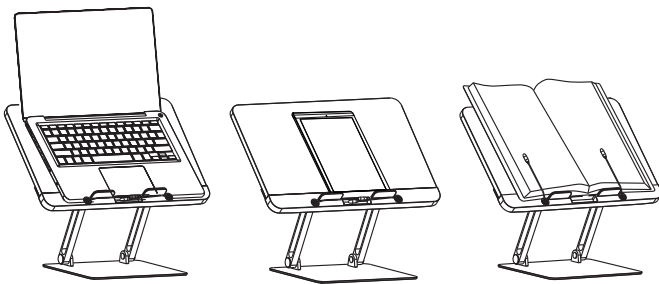


Scan QR code below for more products from viozon

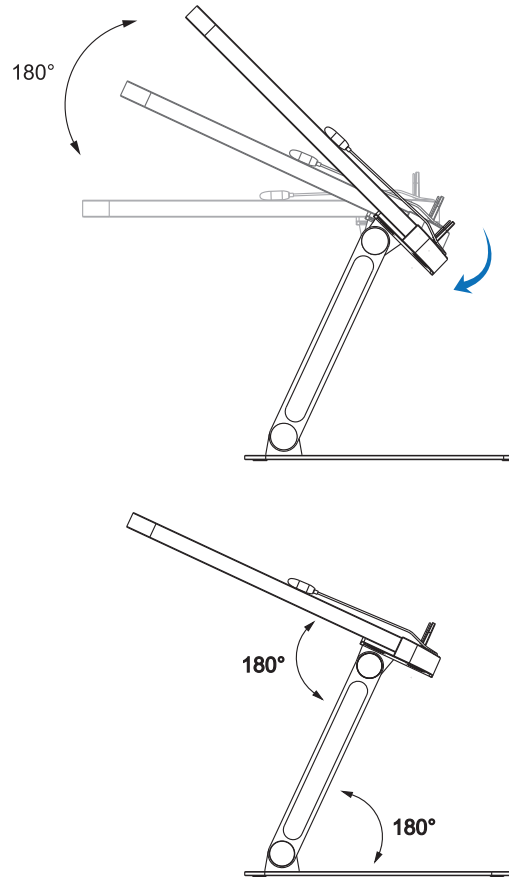
## APPLICATION



For book, laptop and tablet.  
2 flexible and strong clips to keep your book widely open, and keep your laptop/book stay in place.

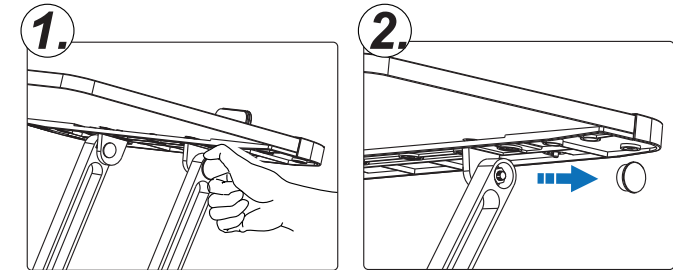


## ANGLE ADJUSTMENT

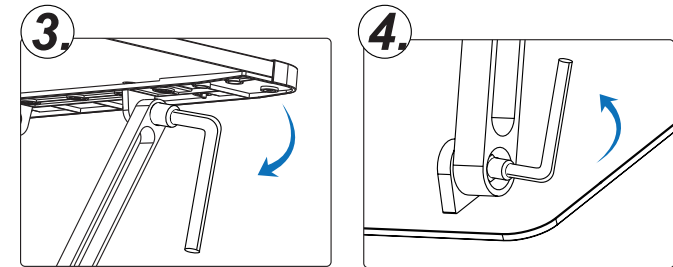


Note: Parameters mentioned in above figure shows the stand's maximum extent of angle adjustment. Please adjust the viewing angle appropriately and ensure safety of the device.

## FRICITION ADJUSTMENT



Use your hand to open the side cover supporting axle as above pictures.



If the friction of hinge is too strong or too little for adjustment, you can use the wrench to adjust.



If the adjustment goes smoothly and the stand works fine in the first place, then no action is required. Please ignore this step.